

SCREW COMPRESSOR PARTS

UD/U/G SERIES

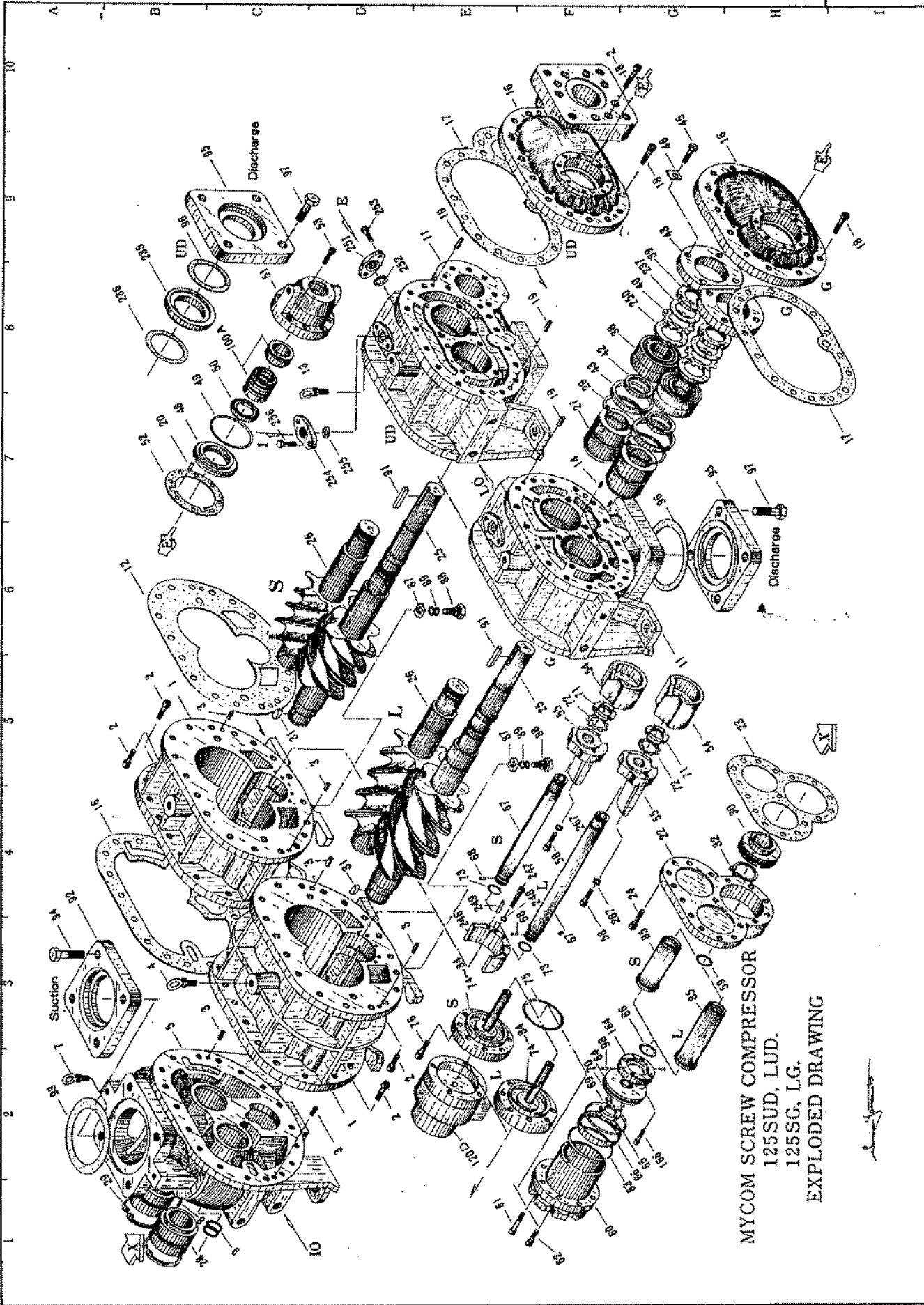
MYCOM

North American Group

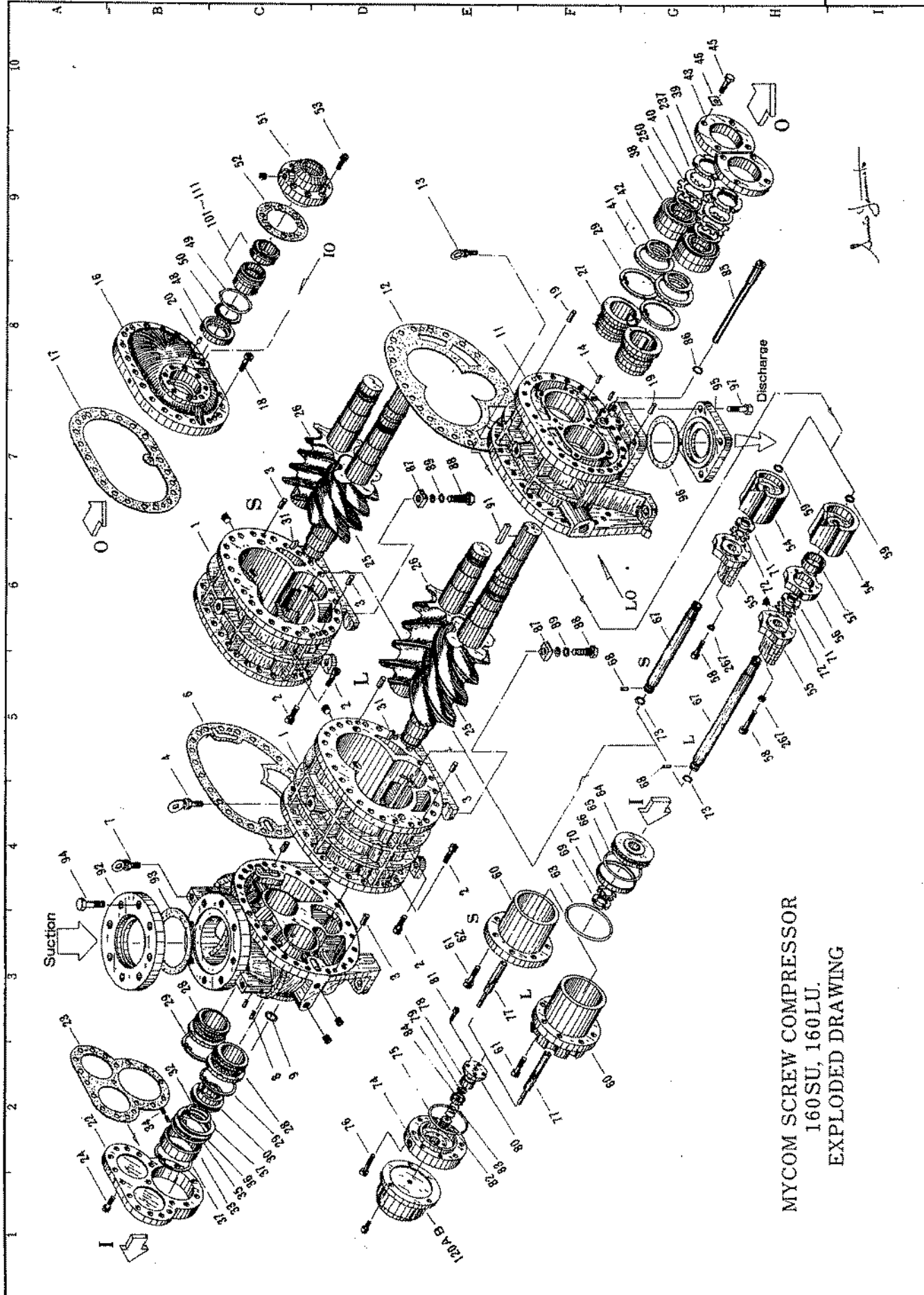
Supersedes all previous issues
MYCOM reserves the right to change without notice

Bowman Refrigeration

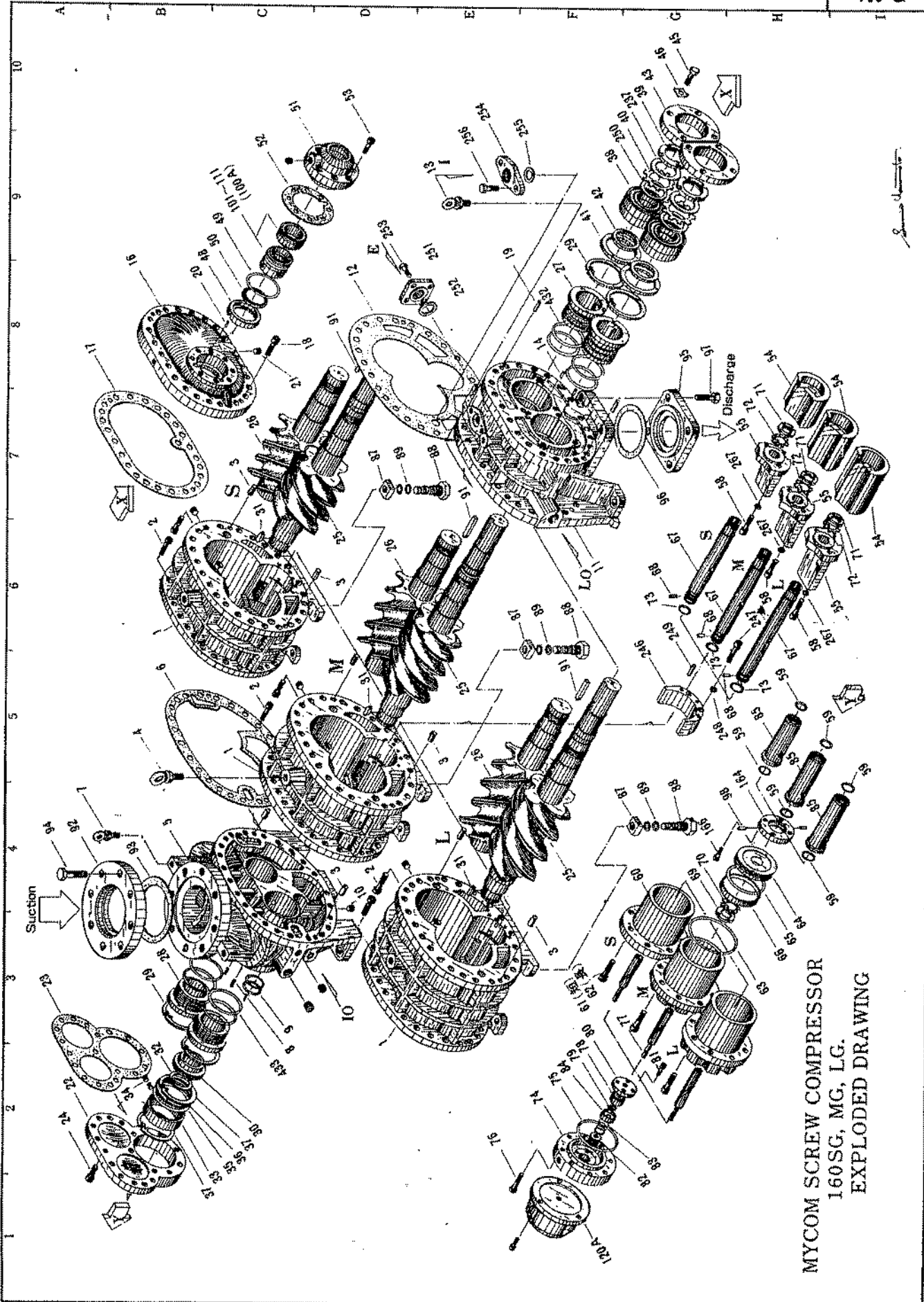
206-706-3033



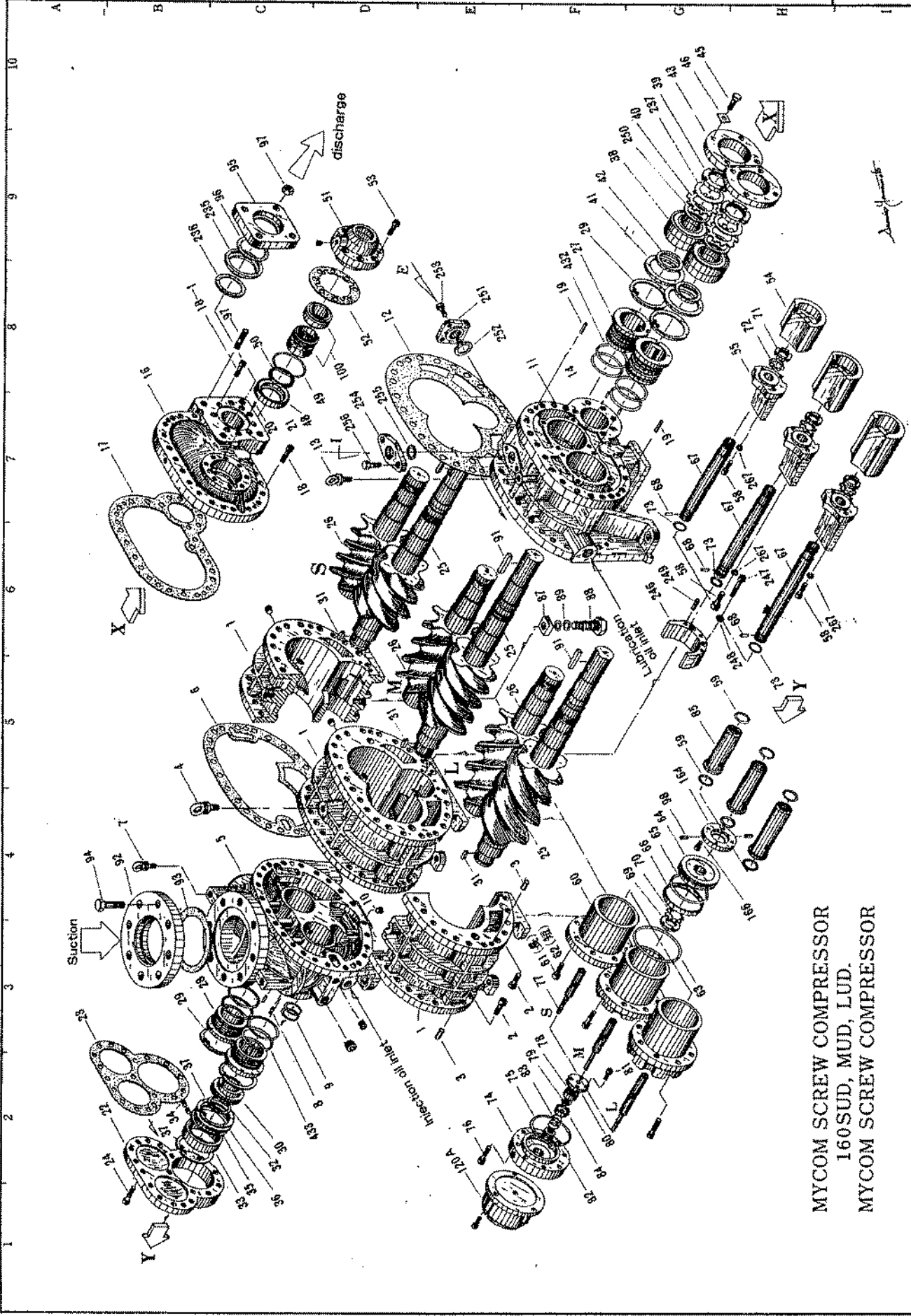
MYCOM SCREW COMPRESSOR
 125SUD, LUD.
 125SG, LG.
 EXPLODED DRAWING



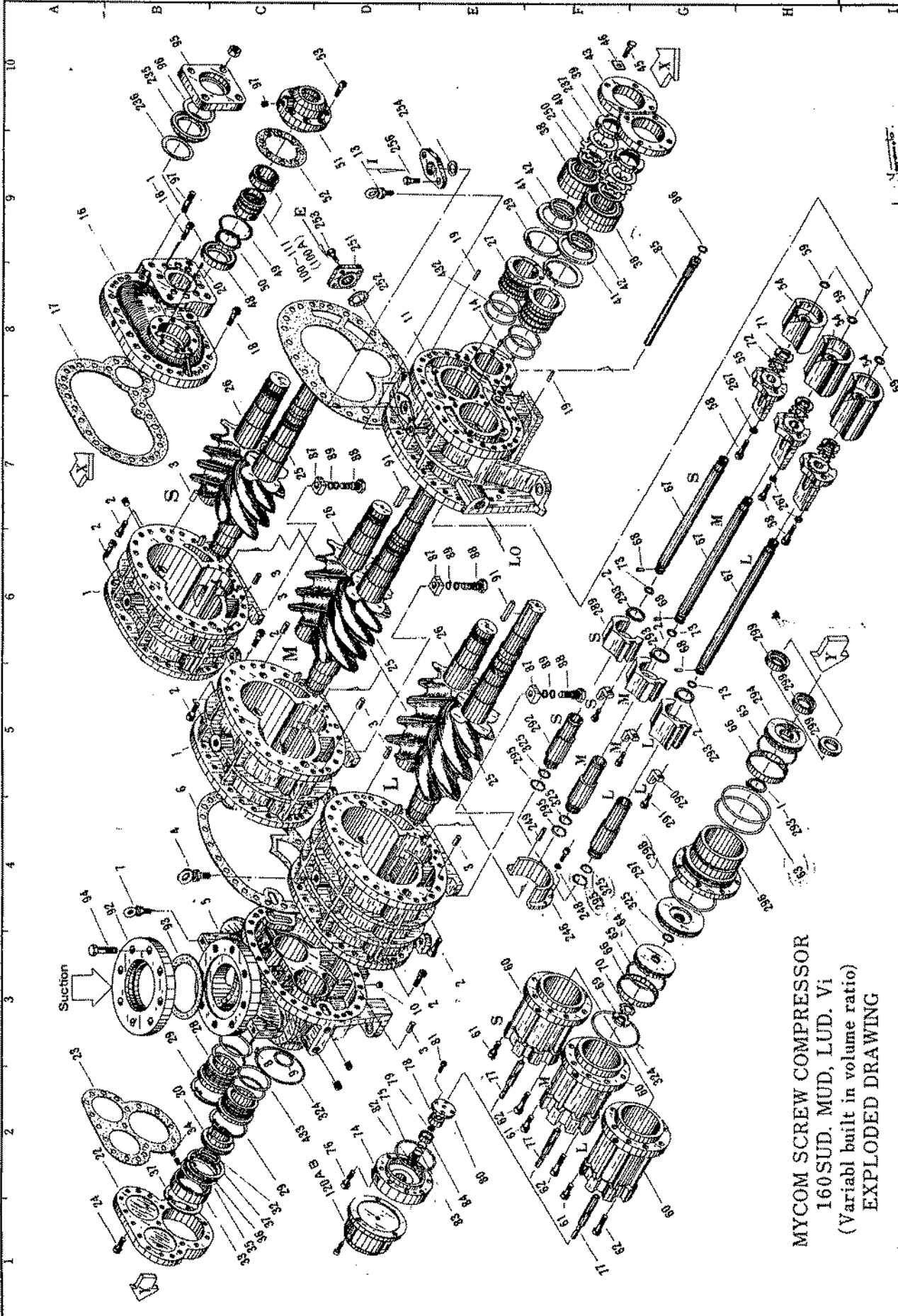
MYCOM SCREW COMPRESSOR
 160SU, 160LU.
 EXPLODED DRAWING



MYCOM SCREW COMPRESSOR
160SG, MG, LG.
EXPLODED DRAWING

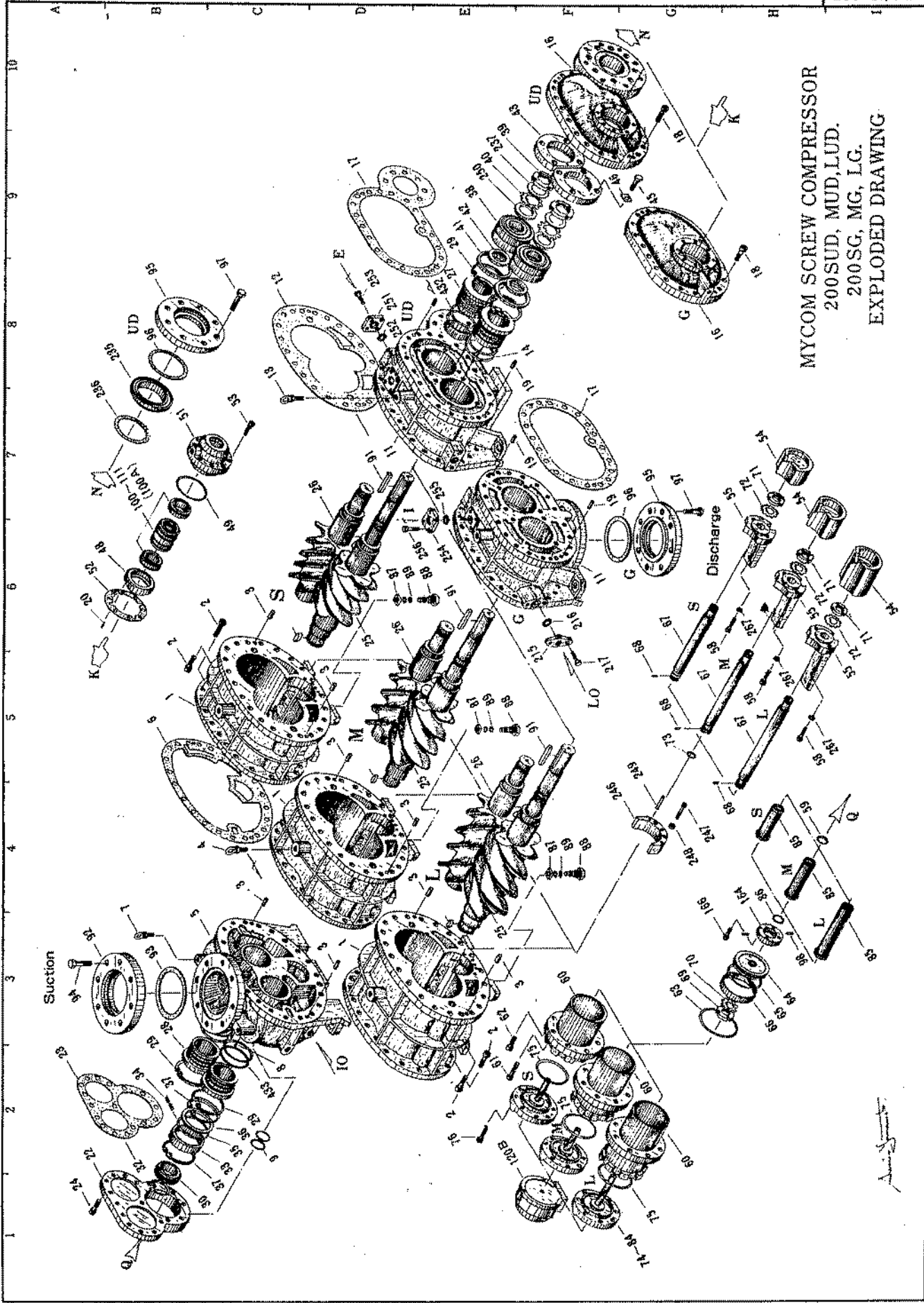


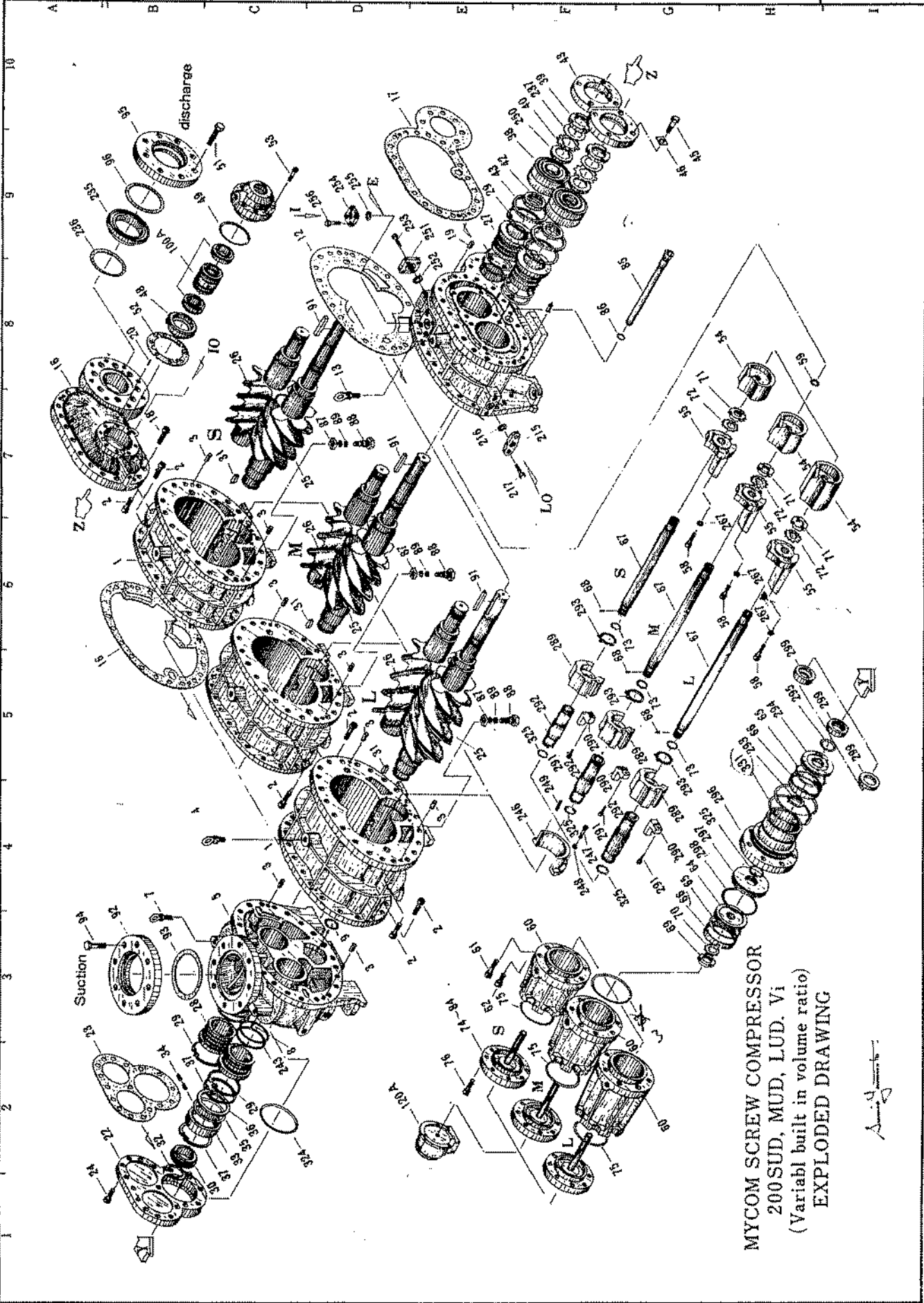
MYCOM SCREW COMPRESSOR
160 SUD, MUD, LUD.
MYCOM SCREW COMPRESSOR



MYCOM SCREW COMPRESSOR
160 SUD. MUD. LUD. VI
(Variabl built in volume ratio)
EXPLODED DRAWING

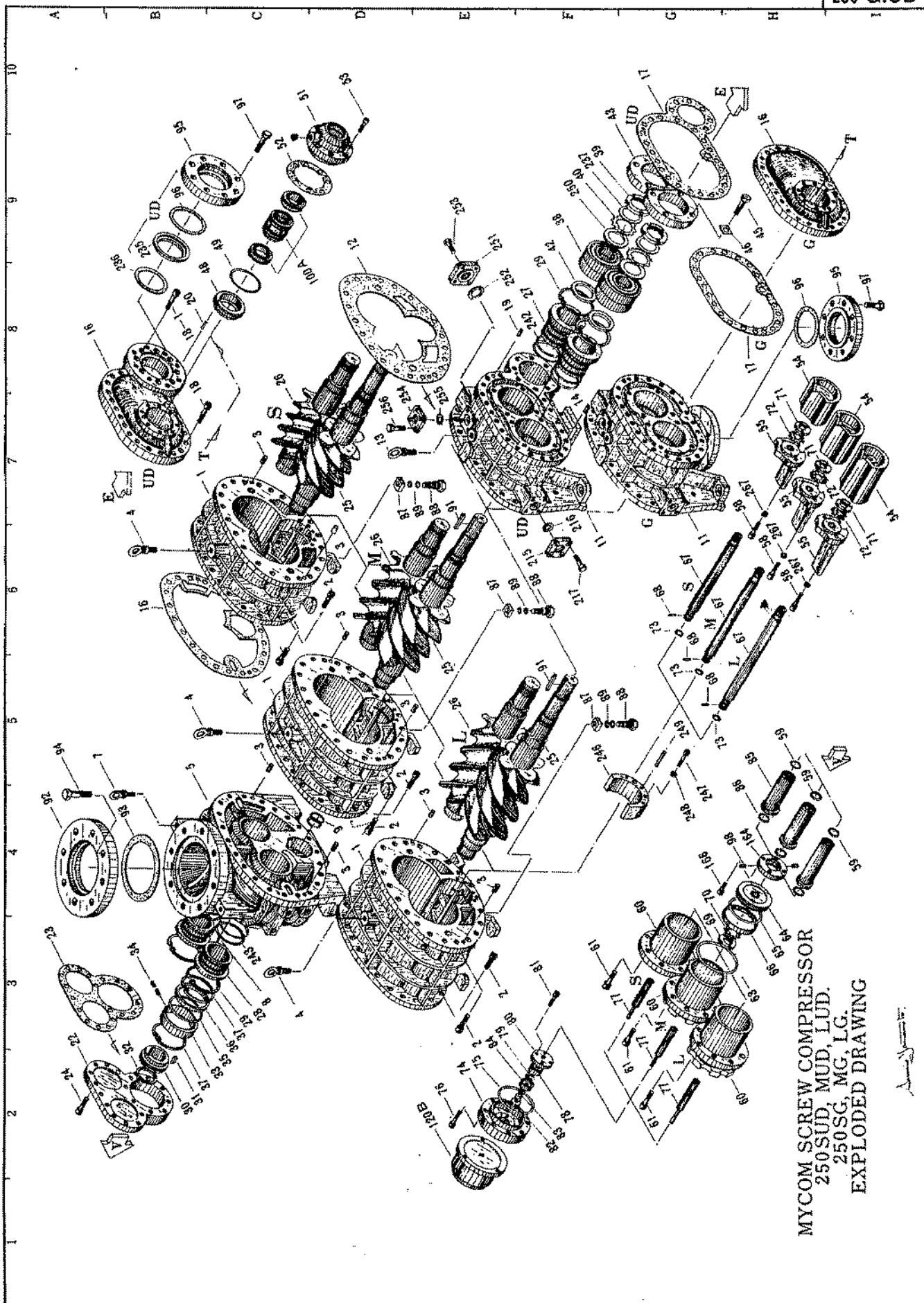
MYCOM SCREW COMPRESSOR
200SUD, MUD, LUD.
200SG, MG, L.G.
EXPLODED DRAWING





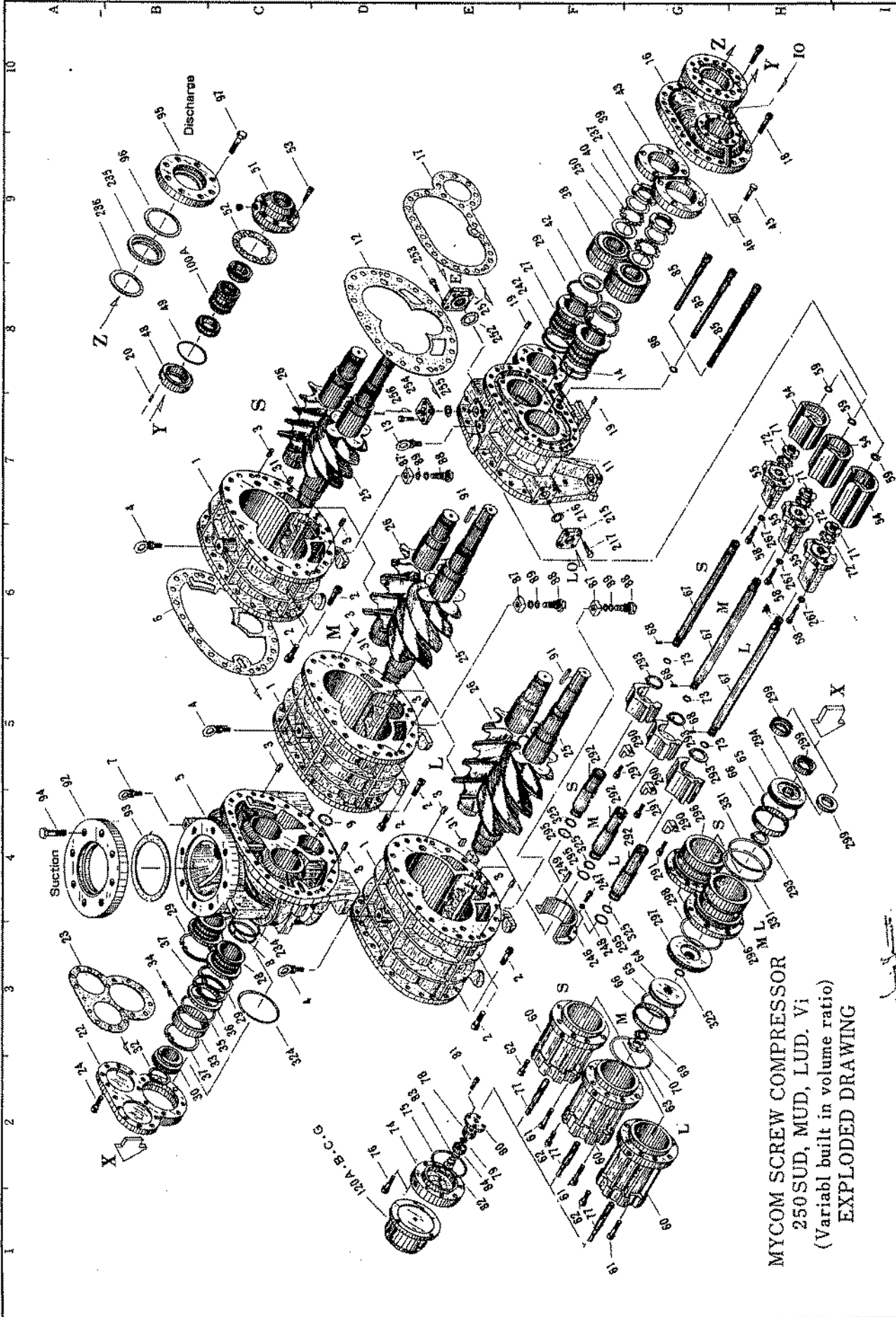
MYCOM SCREW COMPRESSOR
200 SUD, MUD, LUD, VI
(Variabl built in volume ratio)
EXPLODED DRAWING

[Handwritten signature]

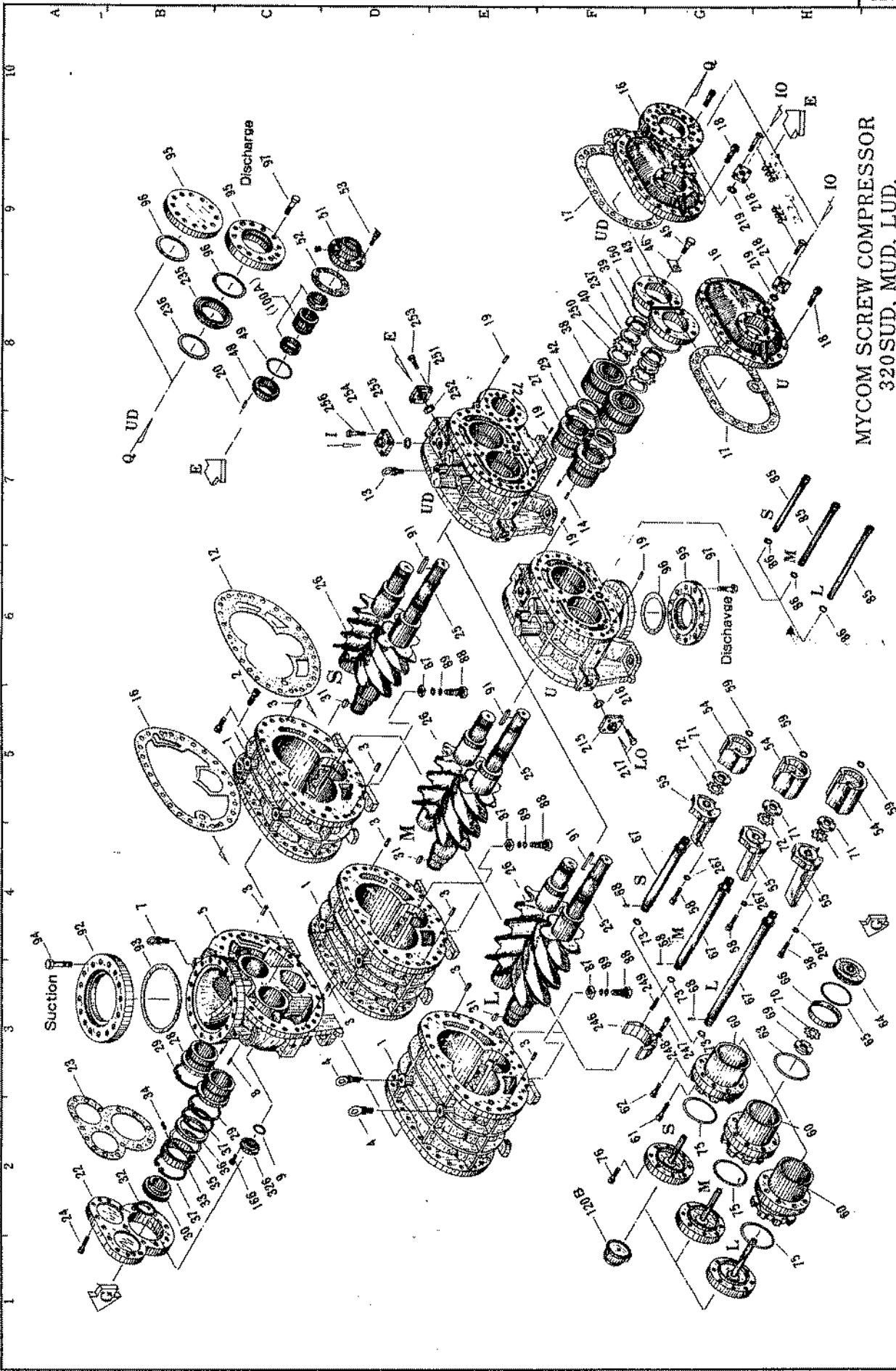


MYCOM SCREW COMPRESSOR
 250 SUD, MUD, LUD.
 250 SG, MG, LG.
 EXPLODED DRAWING

Bowman Refrigeration 206-706-3033



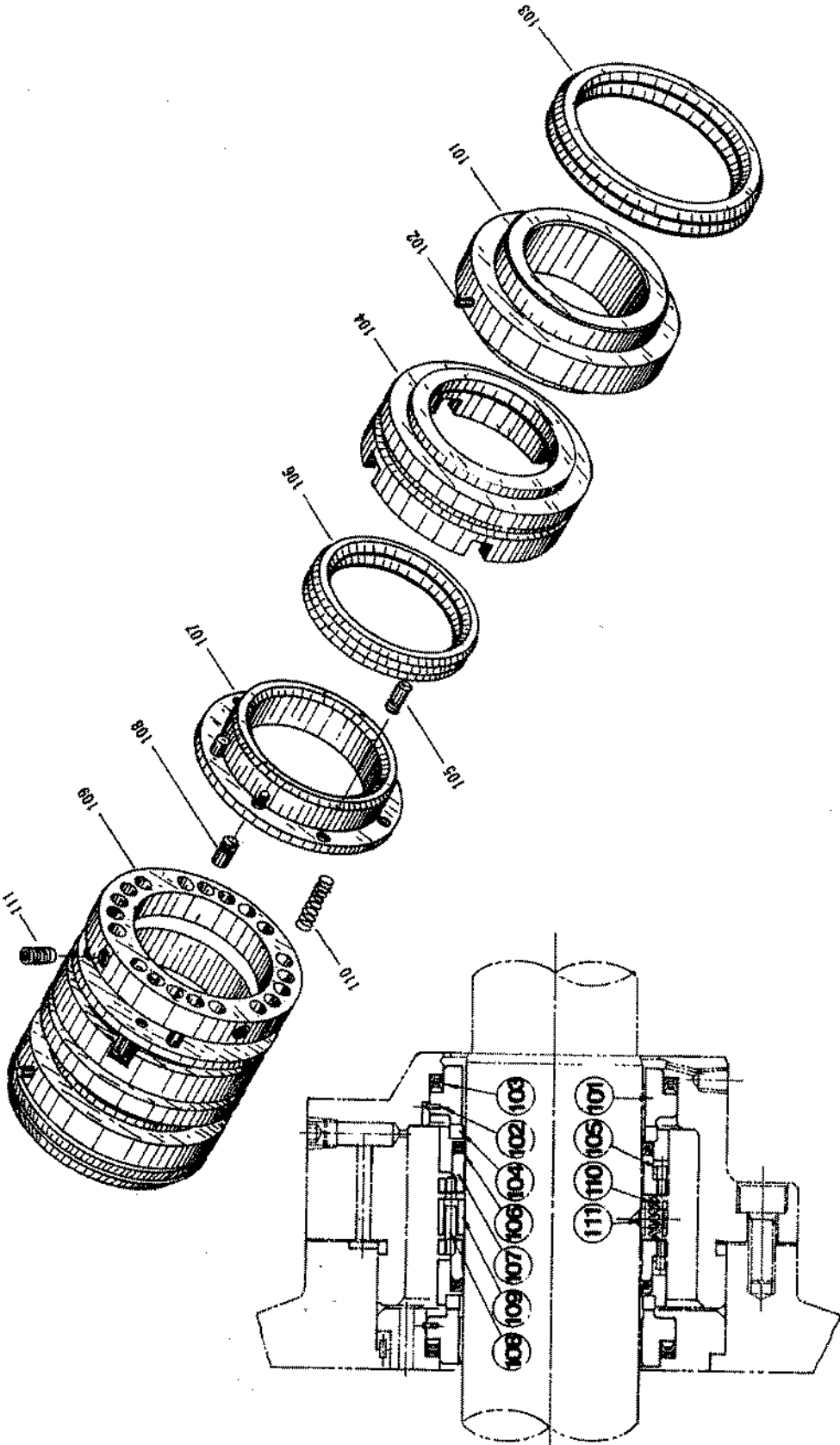
MYCOM SCREW COMPRESSOR
 250SUD, MUD, LUD, VI
 (Variabl built in volume ratio)
 EXPLODED DRAWING



MYCOM SCREW COMPRESSOR
 320 SUD, MUD, LUD.
 320 SU, MU, LU.
 EXPLODED DRAWING

Leslie Yount

200~320
(Double unbalance type)
Mechanical shaft seal
Exploded drawing



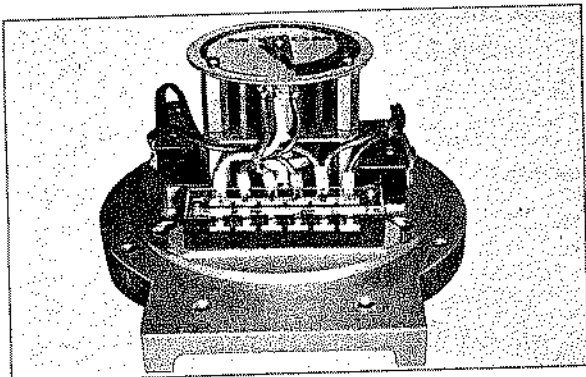


Fig. 144 Unloader indicator for 160SUD to 250LUD

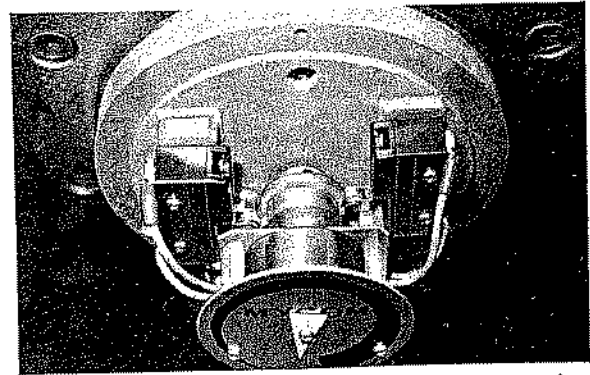


Fig. 145 No-load positioned cam in case of two micro-switches

VI-1. Dismantlement of the Type 201-600-00.
(Ref. Fig. 147 & 149)

- Unscrew the indicator needle screw (140), and remove needle (139).
- Remove the indicator dial screws (138) which hold the indicator dial (137).
- The potentiometer set-plate is held between two-piece support arms (134) and (135). To remove this set-plate, hold support arm (134) and loosen (135).
- Take off final two support arms. The potentiometer (129) can be removed with the set-plate (130).
- The potentiometer is held to the set-plate by two philips screws.
- The micro-switch (125) can now be removed by loosening the two philips screws (126).
Right side is for signal of no-load position, and left side

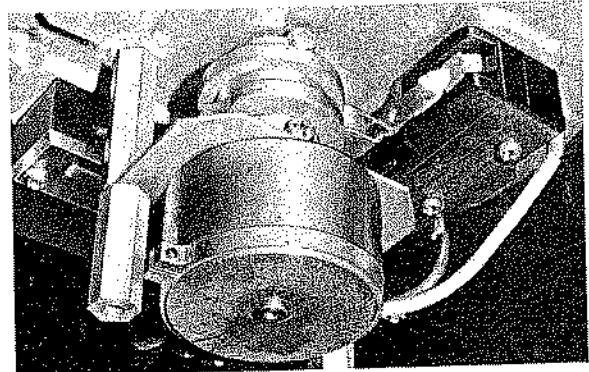
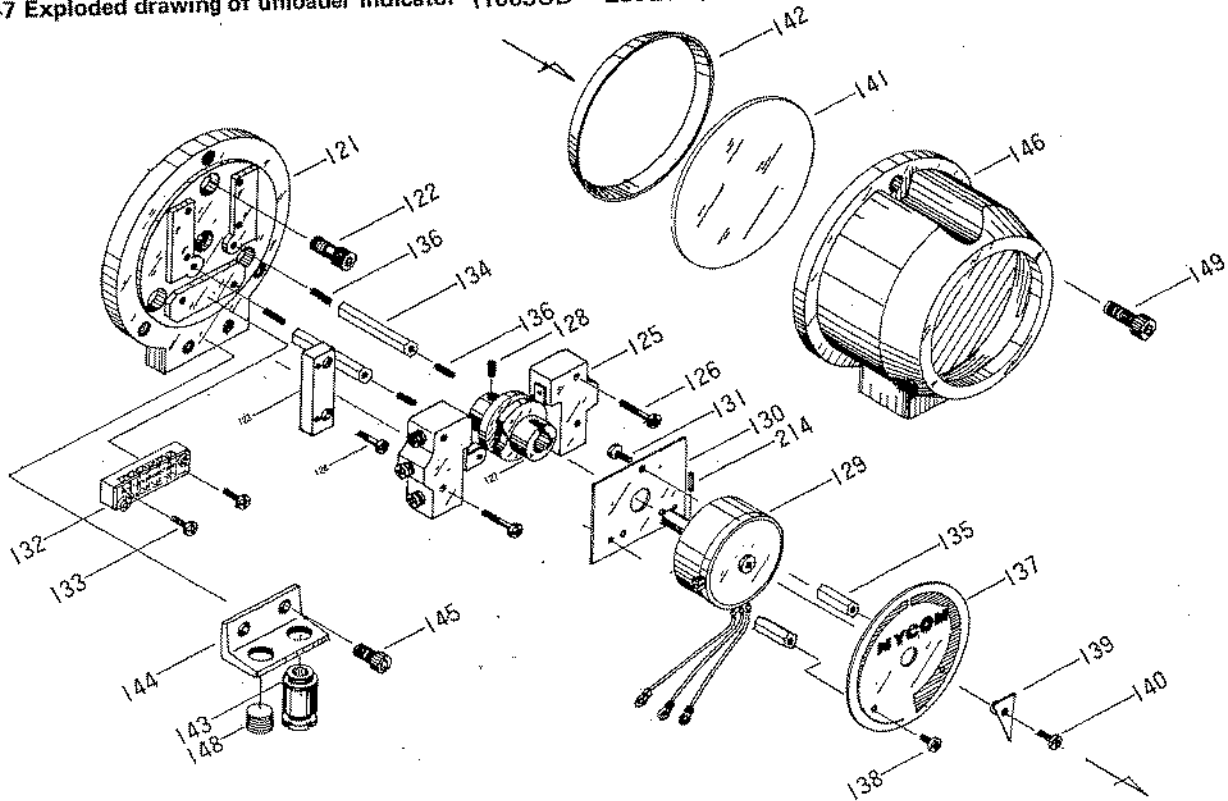


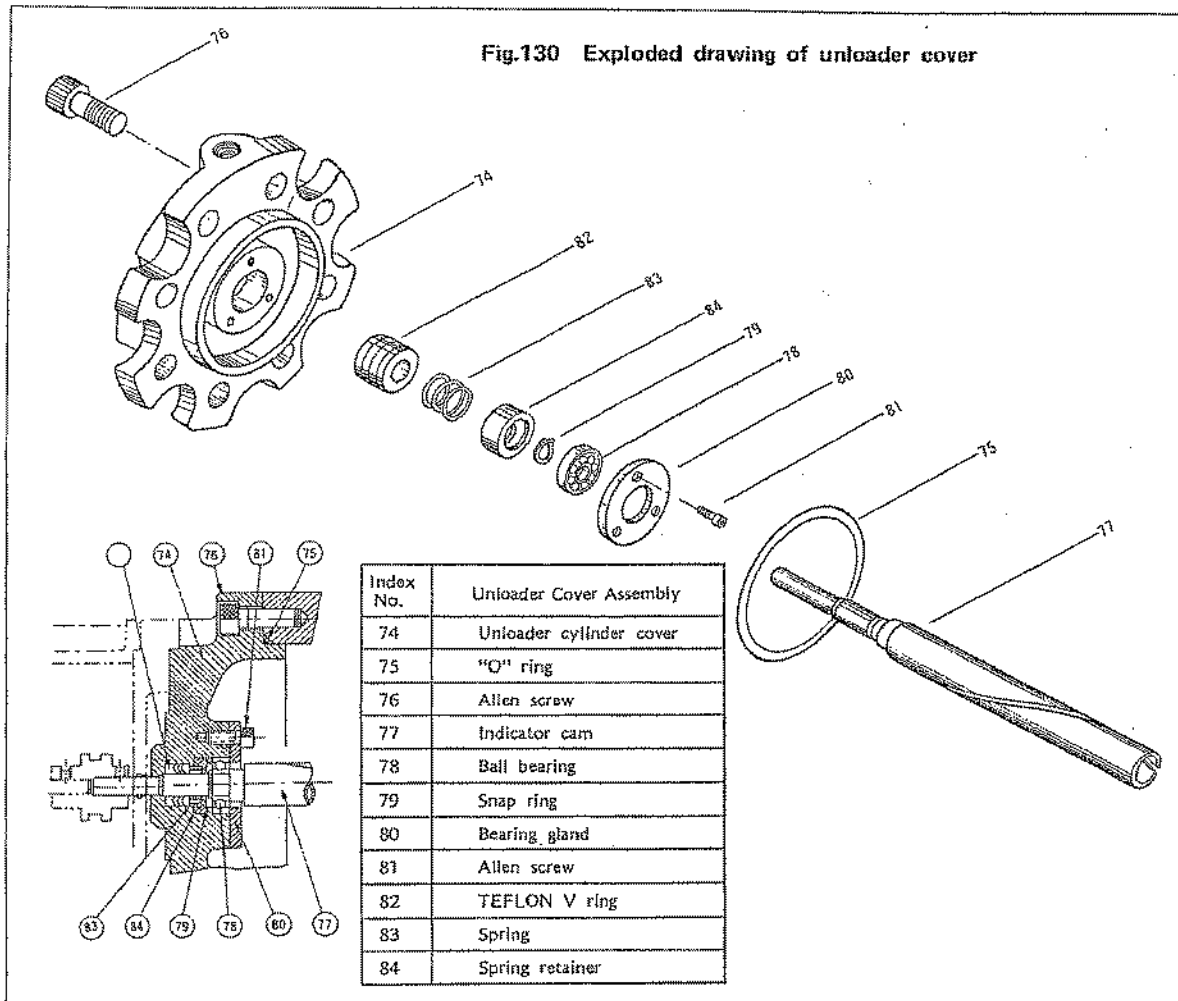
Fig. 146 In case of one micro-switch

- for full-load position.
The left side has a base plate (123) held by two philips screws (124).
- The terminal block is easily removed by unscrewing the philips screws (133).

Fig. 147 Exploded drawing of unloader indicator (160SUD ~ 250LUD)



- e) Make the unloader slide valve at no-load position (push the unloader piston into the dead end), and set together the groove of cylinder cam and a push pipe pin, and then push in the cover and fix. The oil pressure distribution port for action of unloader piston must come upper position and fasten the bolts.



V-11. Mechanical Seal



- a) The contact surfaces of the seal must be cleaned before reassembling.
- b) Before positioning the seal assembly on the shaft, confirm that the shaft surface and particularly the edge of the seal contact surface of the shaft is free of scars.
- c) Confirm normal placement of the seal gland. The seal gland should be positioned so that the oil escape hole is on the top of the shaft. Confirm that it is locked into position by turning the gland. The seal gland will not turn if the pin is properly seated.
- d) Do not forget to set the "O" ring.

- e) It is best to position each part separately in the reverse order of disassembly. In this way the TEFLON V ring will not be deformed when put in place. Each part must be applied oil before assembly.

In the case of the double seal assembly, first place in position the seal ring, next the V ring and then the compression ring. Finally put on the seal collar and then fix the assembly firmly into the right position.

For the single seal assembly, push the seal collar over the step of the shaft, and then fix firmly into the correct position. The bolt holes of the seal cover must match accurately with the countersinkings on the shaft.

- f) When in line, position the seal spring and the other parts accordingly. Confirm that the spring is in position by pushing the seal ring several times.

"UD, U, G" SERIES

MYCOM

PART#	DESCRIPTION	TYPE	MODEL	CODE
001	MAIN ROTOR CASING		125 S	CS0010-CS
			125 L	CS0010-CL
			160 S	CS0010-DS
			160 SUD-V	CS0010-DSV
			160 M	CS0010-DM
			160 MUD-V	CS0010-DMV
			160 L	CS0010-DL
			160 LUD-V	CS0010-DLV
			200 S	CS0010-ES
			200 SUD-V	CS0010-ESV
			200 M	CS0010-EM
			200 MUD-V	CS0010-EMV
			200 L	CS0010-EL
			200 LUD-V	CS0010-ELV
			250 S	CS0010-FS
			250 SUD-V	CS0010-FSV
			250 M	CS0010-FM
			250 MUD-V	CS0010-FMV
			250 L	CS0010-FL
			250 LUD-V	CS0010-FLV
			250 LL	CS0010-FLL
			320 S	CS0010-GS
			320 M	CS0010-GM
	320 L	CS0010-GL		
002	ALLEN SCREW, BEA. HEAD & SUCT. COVER	M14*40	125	NB3514-040
		M12*40	160	NB3512-040
		M16*50	200	NB3516-050
		M20*60	250	NB3520-060
		M24*80	320	NB3524-080
003	ALIGNMENT PIN, CUCT. COVER & ROTOR CASING	M14*40	125	NE2016-040
		13*40	160	NE2013-040
		16*55	200	NE2016-055
		16*70	250	NE2016-070
		25*80	320	NE2025-080
004	EYE BOLT, ROTOR CASING	M16	125-160	NB6000-016
		M20	200	NB6000-020
		M24	250	NB6000-024
		M30	320	NB6000-030
005	SUCTION COVER CASING		125 UD,G	CS0050-CLD
			160 UD,G	CS0050-DD
			160 UD-V	CS0050-DV
			200 UD,G	CS0050-ED
			200 UD-V	CS0050-EV
			250 UD,G	CS0050-FD
			250 UD-V	CS0050-FV
006	GASKET, SUCTION COVER		125	CS0061-C
			160	CS0061-D
			160 UD-V	CS0061-DV
			200	CS0061-E
			200 UD-V	CS0061-EV

Bowman Refrigeration 206-706-3033

"UD, U, G" SERIES

MYCOM

Bowman Refrigeration 206-706-3033

PART#	DESCRIPTION	TYPE	MODEL	CODE
006	GASKET, SUCTION COVER		250	CS0061-F
			250 UD-V	CS0061-FV
			320	CS0061-G
007	EYE BOLT, SUCTION COVER	M12	125-250	NB6000-012
		M16	320	NB6000-016
008	SPRING PIN, SIDE BEARING	4*10	125-160	NE3204-010
		6*12	200-250	NE3206-012
		6*18	320	NE3206-018
009	O RING, SUCTION COVER	BUNA-N JB2401 P30	125 U	PA2401-030
		BUNA-N JB2401 P42	125-160 UD,G	PA2401-042
		BUNA-N JB2401 P32	160 U	PA2401-032
		BUNA-N JB2401 P46	160 UD-V	PA2401-046
		BUNA-N JB2401 P40	200 U	PA2401-040
		BUNA-N JB2401 G55	200 UD,G	PA2402-055
		BUNA-N JB2401 G60	200 UD-V	PA2402-060
		BUNA-N JB2401 P46	250 U	PA2401-046
		BUNA-N JB2401 G60	250 UD,G	PA2402-060
		BUNA-N JB2401 G65	250 UD-V	PA2402-065
		BUNA-N JB2401 P58	320	PA2401-058
010	PLUG, SUCTION COVER	PT 1/4	125	NF0600-08
		PT 3/8	160	NF0600-10
		PT 1/2	200-320	NF0600-15
011	BEARING HEAD CASING		125 UD-LX	CS0114-CDL
			125 UD-MX	CS0114-CDM
			125 UD-HX	CS0114-CDH
			125 G-LX	CS0114-CGL
			125 G-MX	CS0114-CGM
			125 G-HX	CS0114-CGH
			160 UD-LX	CS0114-DDL
			160 UD-MX	CS0114-DDM
			160 UD-HX	CS0114-DDH
			160 UD-VX	CS0114-DV
			160 G-LX	CS0114-DGL
			160 G-MX	CS0114-DGM
			160 G-HX	CS0114-DGH
			200 UD-LX	CS0114-EDL
			200 UD-MX	CS0114-EDM
			200 UD-HX	CS0114-EDH
			200 UD-VX	CS0114-EV
			200 G-LX	CS0114-EGL
			200 G-MX	CS0114-EGM
			200 G-HX	CS0114-EGH
			250 UD-LX	CS0114-FDL
			250 UD-MX	CS0114-FDM
			250 UD-HX	CS0114-FDH
			250 UD-VX	CS0114-FV
			250 G-LX	CS0114-FGL
			250 G-MX	CS0114-FGM
			250 G-HX	CS0114-FGH
	320 U-LX	CS0110-GUL		
	320 U-MX	CS0110-GUM		

"UD, U, G" SERIES

MYCOM

Bowman Refrigeration 206-706-3033

PART#	DESCRIPTION	TYPE	MODEL	CODE
011	BEARING HEAD CASING		320 U -HX	CS0110-GUH
			320 UD-LX	CS0114-GDL
			320 UD-MX	CS0114-GDM
			320 UD-HX	CS0114-GDH
012	GASKET, BEARING HEAD		125	CS0121-C
			160	CS0121-D
			160 UD-V	CS0121-DV
			200	CS0121-E
			200 UD-V	CS0121-EV
			250	CS0121-F
			250 UD-V	CS0121-FV
013	EYE BOLT, BEARING HEAD	M12	125-250	NB6000-012
		M16	320	NB6000-016
014	SPRING PIN, BEARING HEAD	4*10	125-160	NE3204-010
		6*12	200-250	NE3206-012
		6*18	320	NE3206-018
015	PLUG, BEARING HEAD	PT 1/8	125-320	NF0600-04
016	BEARING COVER CASING		125 G,U	CS0160-CG
			125 UD	CS0160-CD
			160 G,U	CS0160-DG
			160 UD	CS0160-DD
			160 UD-V	CS0160-DV
			200 G,U	CS0160-EG
			200 UD	CS0160-ED
			200 UD-V	CS0160-EV
			250 G,U	CS0160-FG
			250 UD	CS0160-FD
			250 UD-V	CS0160-FV
			320 U	CS0160-GU
	320 UD	CS0160-GH		
017	GASKET, BEARING COVER		125 G,U	CS0171-CG
			125 UD	CS0171-CD
			160 G,U	CS0171-DG
			160 UD	CS0171-DD
			200 G,U	CS0171-EG
			200 UD	CS0171-ED
			250 G,U	CS0171-FG
			250 UD	CS0171-FD
			320 U	CS0171-GU
			320 UD	CS0171-GD
		018	ALLEN SCREW, BEARING COVER	M12*35
M12*30	125 UD			NB3512-030
M12*75	125 UD			NB3512-075
M12*40	160 G,U			NB3512-040
M12*40	160 UD			NB3512-040
M12*80	160 UD			NB3512-080
M16*50	200 G,U			NB3516-050
M16*50	200 UD			NB3516-050
	M16*75	200 UD	NB3516-075	

"UD, U, G" SERIES

MYCOM

PART#	DESCRIPTION	TYPE	MODEL	CODE
018	ALLEN SCREW, BEARING COVER	M16*50	250 G,U	NB3516-050
		M16*50	250 UD	NB3516-050
		M16*90	250 UD	NB3516-090
		M20*70	320 U	NB3520-070
		M20*70	320 UD	NB3520-070
019	ALIGNMENT PIN, BEA. HEAD & BEA. COVER	M20*120	320 UD	NB3520-120
		10*40	125-160	NE2010-040
		10*50	200-250	NE2010-050
020	SPRING PIN, SEAL RETAINER	13*50	320	NE2013-050
		3*8	125	NB3203-008
		3*10	160-250	NB3203-010
021	PLUG, BEARING COVER	3*15	320	NE3203-015
		PT 1/8	125-320	NF0600-04
		022	BLIND COVER CASING	125
160				CS0220-D
160 UD-V				CS0220-DV
200				CS0220-E
200 UD-V				CS0220-EV
250				CS0220-F
250 UD-V				CS0220-FV
023	GASKET, BLIND COVER	320		CS0220-G
		125		CS0231-C
		160		CS0231-D
		200		CS0231-E
		250		CS0231-F
024	ALLEN SCREW, BLIND COVER	320		CS0231-G
		M8*25	125	NB3508-025
		M10*25	160	NB3510-025
		M12*30	200-250	NB3512-030
025	ROTOR ASSY	M16*45	320	NB3516-045
		125 S		CS0250-CS
		125 L		CS0250-CL
		160 S		CS0250-DS
		160 M		CS0250-DM
		160 L		CS0250-DL
		200 S		CS0250-ES
		200 M		CS0250-EM
		200 L		CS0250-EL
		250 S		CS0250-FS
		250 M		CS0250-FM
		250 L		CS0250-FL
		250 LL		CS0250-FLL
320 S		CS0250-GS		
320 M		CS0250-GM		
320 L		CS0250-GL		
027	MAIN BEARING	125		CS0270-C
		160		CS0270-DRT
		200		CS0270-ERT
		250		CS0270-FRT

Bowman Refrigeration 206-706-3033

"UD, U, G" SERIES

MYCOM

Bowman Refrigeration 206-706-3033

PART#	DESCRIPTION	TYPE	MODEL	CODE
027	MAIN BEARING		320	CS0270-GRT
027-1	O RING, MAIN BEARING	BUNA-N JB2401 G85	160	PA2402-085
		BUNA-N JW1516 G22	200	PA1517-022
		BUNA-N JB2401 G135	250	PA2402-135
		BUNA-N JB2401 G165	320	PA2402-165
028	SIDE BEARING		125	CS0280-C
			160	CS0280-DRT
			200	CS0280-ERT
			250	CS0280-FRT
			320	CS0280-GRT
028-1	O RING, SIDE BEARING	BUNA-N JB2401 G85	160	PA2402-085
		BUNA-N JW1516 G22	200	PA1517-022
		BUNA-N JB2401 G135	250	PA2402-135
		BUNA-N JB2401 G165	320	PA2402-165
029	STOP RING, MAIN & SIDE BEARING	(HOLE) H80	125	NG1100-080
		(HOLE) H102	160	NG1100-102
		(HOLE) H130	200	NG1100-130
		(HOLE) H160	250	NG1100-160
		(HOLE) H200	320	NG1100-200
030	BALANCE PISTON		125	CS0300-C
			160	CS0300-D
			200	CS0300-E
			250	CS0300-F
			320	CS0300-G
031	KEY, BALANCE PISTON		125	CS0310-C
			160	CS0310-D
			200	CS0310-E
			250	CS0310-F
			320	CS0310-G
032	STOP RING, BALANCE PISTON	S40	125	NG1200-040
		S50	160	NG1200-050
		S65	200	NG1200-065
		S80	250	NG1200-080
		S100	320	NG1200-100
033	BALANCE PISTON SLEEVE		160	CS0330-D
			200	CS0330-E
			250	CS0330-F
			320	CS0330-G
034	SET SCREW, BALANCE PISTON	M6*15	160	NA8606-015
		M8*15	200	NA8608-015
		M8*20	250	NA8608-020
034	SPRING PIN, BALANCE PISTON	8*20	320	NE3208-020
035	O RING, BALANCE PISTON SLEEVE	BUNA-N JB2401 G95	160	PA2402-095
		BUNA-N JB2401 P120	200	PA2401-120
		BUNA-N JB2401 P150	250	PA2401-150
		BUNA-N JB2401 G190	320	PA2402-190
036	SPACER, BALANCE PISTON SLEEVE		160	CS0360-D

"UD, U, G" SERIES

MYCOM

PART#	DESCRIPTION	TYPE	MODEL	CODE
036	SPACER, BALANCE PISTON SLEEVE		200	CS0360-E
			250	CS0360-F
			320	CS0360-G
037	STOP RING, BALANCE PISTON SLEEVE	(HOLE) H102	160	NG1100-102
		(HOLE) H130	200	NG1100-130
		(HOLE) H160	250	NG1100-160
		(HOLE) H200	320	NG1100-200
038	THRUST BEARING		125	CS0380-C
			160	CS0380-D
			200	CS0380-E
			250	CS0380-F
			320	CS0380-G
039	LOCK NUT, THRUST BEARING	AN09	125	NG3100-09
		AN12	160	NG3100-12
		AN13	200	NG3100-13
		AN17	250	NG3100-17
		AN21	320	NG3100-21
040	LOCK WASHER, THRUST BEARING	AW09	125	NG3200-09
		AW12	160	NG3200-12
		AW13	200	NG3200-13
		AW17	250	NG3200-17
		AW21	320	NG3200-21
041	SPACER, THRUST BEARING OUTER RACE		125	CS0410-C
			160	CS0410-D
			200	CS0410-E
042	SPACER, THRUST BEARING ALIGNMENT		125	CS0420-C
			160	CS0420-D
			200	CS0420-E
			250	CS0420-F
			320	CS0420-G
		BOOSTER TYPE	125	CS0420-1C
		BOOSTER TYPE	160	CS0420-1D
		BOOSTER TYPE	200	CS0420-1E
		BOOSTER TYPE	250	CS0420-1F
		BOOSTER TYPE	320	CS0420-1G
042-1	LINER, THRUST ADJUSTING	0.03mm	125	CS7010-C03
		0.05mm	125	CS7010-C05
		0.1mm	125	CS7010-C10
		0.03mm	160	CS7010-D03
		0.05mm	160	CS7010-D05
		0.1mm	160	CS7010-D10
		0.03mm	200	CS7010-E03
		0.05mm	200	CS7010-E05
		0.1mm	200	CS7010-E10
		0.03mm	250	CS7010-F03
		0.05mm	250	CS7010-F05
		0.1mm	250	CS7010-F10
		0.03mm	320	CS7010-G03
		0.05mm	320	CS7010-G05
0.1mm	320	CS7010-G10		

Bowman Refrigeration 206-706-3033

"UD, U, G" SERIES

MYCOM

Bowman Refrigeration 206-706-3033

PART#	DESCRIPTION	TYPE	MODEL	CODE
043	THRUST BEARING GLAND		125 U	CS0430-CU
			125 UD,G	CS0430-CD
			160	CS0430-D
			200	CS0430-E
			250	CS0430-F
			320	CS0430-G
045	HEX SCREW, THRUST BEARING GLAND	M8*25	125	NB1208-025
		M10*30	160	NB1210-030
		M12*35	200	NB1212-035
		M16*45	250	NB1216-045
		M20*55	320	NB1220-055
046	LOCK WASHER, BEARING GLAND BOLT	OLD	125 U	CS0460-C
		OLD M8 TOOTHED	125 U	ND4220-08
			125 UD,G	ND3200-08
			160	CS0460-D
			200	CS0460-E
			250	CS0460-F
048	SEAL GLAND		125	CS0480-C
			160	CS0480-D
			200	CS0480-E
			250	CS0480-F
			320	CS0480-G
049	O RING, SEAL GLAND	BUNA-N JB2401 G85	125	PA2402-085
		BUNA-N JB2401 G90	160	PA2402-090
		BUNA-N JB2401 G115	200	PA2402-115
		BUNA-N JB2401 G135	250	PA2402-135
		BUNA-N JB2401 G160	320	PA2402-160
050	OIL SEAL		125	CS0501-CV
			160	CS0501-DV
050	OIL SEAL, BOS TYPE SEAL	BOS TYPE	200	CS0501-EV
		BOS TYPE	250	CS0501-FV
		BOS TYPE	320	CS0501-GV
051	SEAL COVER		125	CS0510-C
			160	CS0510-D
			200	CS0510-E
			250	CS0510-F
			320	CS0510-G
052	GASKET, SEAL COVER		125	CS0521-C
			160	CS0521-D
			200	CS0521-E
			250	CS0521-F
			320	CS0521-G
053	ALLEN SCREW, SEAL COVER	M6*20	125	NB3506-020
		M8*25	160	NB3508-025
		M10*25	200	NB3510-025
		M12*30	250	NB3512-030
		M16*40	320	NB3516-040

"UD, U, G" SERIES

MYCOM

Bowman Refrigeration 206-706-3033

PART#	DESCRIPTION	TYPE	MODEL	CODE
054	SLIDE VALVE ASSY		125 SUD,G-L	CS0541-CSL
			125 SUD,G-M	CS0541-CSM
			125 SUD,G-H	CS0541-CSH
			125 LU-L	CS0540-CLL
			125 LU-M	CS0540-CLM
			125 LU-H	CS0540-CLH
			125 LUD,G-L	CS0541-CLL
			125 LUD,G-M	CS0541-CLM
			125 LUD,G-H	CS0541-CLH
			160 SU-L	CS0540-DSL
			160 SU-M	CS0540-DSM
			160 SU-H	CS0540-DSH
			160 SUD,G-L	CS0541-DSL
			160 SUD,G-M	CS0541-DSM
			160 SUD,G-H	CS0541-DSH
			160 SUD-V	CS0541-DSV
			160 MUD,G-L	CS0541-DML
			160 MUD,G-M	CS0541-DMM
			160 MUD,G-H	CS0541-DMH
			160 LU-L	CS0540-DLL
			160 LU-M	CS0540-DLM
			160 LU-H	CS0540-DLH
			160 LUD,G-L	CS0541-DLL
			160 LUD,G-M	CS0541-DLM
			160 LUD,G-H	CS0541-DLH
			160 LUD-V	CS0541-DLV
			200 SU-L	CS0540-ESL
			200 SU-M	CS0540-ESM
			200 SU-H	CS0540-ESH
			200 SUD,G-L	CS0541-ESL
			200 SUD,G-M	CS0541-ESM
			200 SUD,G-H	CS0541-ESH
			200 SUD-V	CS0541-ESV
			200 MUD,G-L	CS0541-EML
			200 MUD,G-M	CS0541-EMM
			200 MUD,G-H	CS0541-EMH
			200 LU-L	CS0540-ELL
			200 LU-M	CS0540-ELM
			200 LU-H	CS0540-ELH
			200 LUD,G-L	CS0541-ELL
			200 LUD,G-M	CS0541-ELM
			200 LUD,G-H	CS0541-ELH
			200 LUD-V	CS0541-ELV
			250 SU-L	CS0540-FSL
			250 SU-M	CS0540-FSM
			250 SU-H	CS0540-FSH
			250 SUD,G-L	CS0541-FSL
			250 SUD,G-M	CS0541-FSM
			250 SUD,G-H	CS0541-FSH
			250 SUD-V	CS0541-FSV
			250 MUD,G-L	CS0541-FML
			250 MUD,G-M	CS0541-FMM
			250 MUD,G-H	CS0541-FMH

"UD, U, G" SERIES

MYCOM

Bowman Refrigeration 206-706-3033

PART#	DESCRIPTION	TYPE	MODEL	CODE
054	SLIDE VALVE ASSY		250 LU-L	CS0540-FLL
			250 LU-M	CS0540-FLM
			250 LU-H	CS0540-FLH
			250 LUD,G-L	CS0541-FLL
			250 LUD,G-M	CS0541-FLM
			250 LUD,G-H	CS0541-FLH
			250 LUD-V	CS0541-FLV
			320 SU-L	CS0540-GSL
			320 SU-M	CS0540-GSM
			320 SU-H	CS0540-GSH
			320 MU-L	CS0540-GML
			320 MU-M	CS0540-GMM
			320 MU-H	CS0540-GMH
			320 MUD,G-L	CS0541-GML
			320 MUD,G-M	CS0541-GMM
			320 MUD,G-H	CS0541-GMH
			320 LU-L	CS0540-GLL
			320 LU-M	CS0540-GLM
			320 LU-H	CS0540-GLH
		059	O RING, INJECTION PIPE	BUNA-N JB2401 P12
BUNA-N JB2401 P30	125-160 UD,G			PA2401-030
BUNA-N JB2401 P16	160 U, UD-V			PA2401-016
BUNA-N JB2401 P20	200 U, UD-V			PA2401-020
BUNA-N JB2401 P40	200 UD,G			PA2401-040
BUNA-N JB2401 P26	250 U, UD-V			PA2401-026
BUNA-N JB2401 P46	250 UD,G			PA2401-046
BUNA-N JB2401 P32	320			PA2401-032
060	UNLOADER CYLINDER		125 L	CS0600-CL
			160 S	CS0600-DS
			160 S/LUD-V	CS0600-DSV
			160 M	CS0600-DM
			160 L	CS0600-DL
			200 S	CS0600-ES
			200 SUD-V	CS0600-ESV
			200 M	CS0600-EM
			200 MUD-V	CS0600-EMV
			200 L	CS0600-EL
			200 LUD-V	CS0600-ELV
			250 S	CS0600-FS
			250 SUD-V	CS0600-FSV
			250 M	CS0600-FM
			250 L	CS0600-FL
			250 LUD-V	CS0600-FLV
	320 S	CS0600-GS		
	320 M	CS0600-GM		
	320 L	CS0600-GL		
061	ALLEN SCREW, UNLOADER CYLINDER	M8*25	125	NB3508-025
		M10*25	160	NB3510-025
		M12*30	200	NB3512-030
		M16*40	250	NB3516-040
		M20*50	320	NB3520-050

"UD, U, G" SERIES

MYCOM

Bowman Refrigeration 206-706-3033

PART#	DESCRIPTION	TYPE	MODEL	CODE
062	ALLEN SCREW, UNLOADER CYLINDER	M8*60	125 U	NB3508-060
		M8*65	125 UD,G	NB3508-065
		M10*60	160 U	NB3510-060
		M10*65	160 UD,G	NB3510-065
		M12*75	200 UD,G	NB3512-075
		M16*90	250 UD,G	NB3516-090
		M20*110	320 UD,G	NB3520-110
063	O RING, UNLOADER CYLINDER	BUNA-N JB2401 G95	125	PA2402-095
		BUNA-N JB2401 G125	160	PA2402-125
		BUNA-N JB2401 G135	160 UD-V	PA2402-135
		BUNA-N JB2401 G150	200	PA2402-150
		BUNA-N JB2401 G160	200 UD-V	PA2402-160
		BUNA-N JB2401 G190	250	PA2402-190
		BUNA-N JB2401 G200	250 UD-V	PA2402-200
		BUNA-N JB2401 G240	320	PA2402-240
064	UNLOADER PISTON		125 U	CS0640-C
			125 UD,G	CS0641-C
			160 U	CS0640-D
			160 UD,G	CS0641-D
			200 U	CS0640-E
			200 UD,G	CS0641-E
			250 U	CS0640-F
			250 UD,G	CS0641-F
065	O RING, UNLOADER PISTON	BUNA-N JB2401 P75	125	PA2401-075
		BUNA-N JB2401 P100	160	PA2401-100
		BUNA-N JB2401 P125	200	PA2401-125
		BUNA-N JB2401 P155	250	PA2401-155
		BUNA-N JB2401 P200	320	PA2401-200
066	TEFLON CAP SEAL	BE-75	125	CS0660-C
		BE-100	160	CS0660-D
		BE-125	200	CS0660-E
		BE-155	250	CS0660-F
		BE-200	320	CS0660-G
067	UNLOADER PUSH ROD ASSY		125 SUD,G	CS0671-CS
			125 LU	CS0670-CL
			125 LUD,G	CS0671-CL
			160 SU	CS0670-DS
			160 SUD,G	CS0671-DS
			160 SUD-V	CS0671-DSV
			160 MUD,G	CS0671-DM
			160 MUD-V	CS0671-DMV
			160 LU	CS0670-DL
			160 LUD,G	CS0671-DL
			160 LUD-V	CS0671-DLV
			200 SU	CS0670-ES
			200 SUD,G	CS0671-ES
			200 SUD-V	CS0671-ESV
			200 MUD,G	CS0671-EM
			200 MUD-V	CS0671-EMV
	200 LU	CS0670-EL		

"UD, U, G" SERIES

MYCOM

Bowman Refrigeration 206-706-3033

PART#	DESCRIPTION	TYPE	MODEL	CODE
067	UNLOADER PUSH ROD ASSY		200 LUD,G	CS0671-EL
			200 LUD-V	CS0671-ELV
			250 SU	CS0670-FS
			250 SUD,G	CS0671-FS
			250 SUD-V	CS0671-FSV
			250 MUD,G	CS0671-FMV
			250 MUD-V	CS0671-FMV
			250 LU	CS0670-FL
			250 LUD,G	CS0671-FL
			250 LUD-V	CS0671-FLV
			320 SU	CS0670-GS
			320 MU	CS0670-GM
			320 MUD	CS0671-GM
			320 LU	CS0670-GL
068	GUIDE PIN, UNLOADER PUSH ROD	3*8	125-160	CS0680-03
		5*12	200-250	CS0680-05
		6*16	320	CS0680-06
069	LOCK NUT, UNLOADER PISTON	OLD M24	125 U	NC1300-24
		AN05	125 UD,G	NG3100-05
		AN05	160	NG3100-05
		AN07	200	NG3100-07
		AN08	250	NG3100-08
		AN10	320	NG3100-10
070	LOCK WASHER, UNLOADER PISTON	OLD M24 TOOTHED	125 U	ND4220-24
		AW05	125 UD,G	NG3200-05
		AW05	160	NG3200-05
		AW07	200	NG3200-07
		AW08	250	NG3200-08
		AW10	320	NG3200-10
071	HEX NUT, UNLOADER PUSH ROD	M24	125 U	NC1300-24
071	LOCK NUT, UNLOADER PUSH ROD	AN05	125 UD,G	NG3100-05
		AN06	160 U	NG3100-06
		AN05	160 UD,G	NG3100-05
		AN08	200 U	NG3100-08
		AN07	200 UD,G	NG3100-07
		AN10	250 U	NG3100-10
		AN08	250 UD,G	NG3100-08
		AN12	320	NG3100-12
072	LOCK WASHER, UNLOADER PUSH ROD	AW05	125 UD,G	NG3200-05
		AW06	160 U	NG3200-06
		AW05	160 UD,G	NG3200-05
		AW08	200 U	NG3200-08
		AW07	200 UD,G	NG3200-07
		AW10	250 U	NG3200-10
		AW08	250 UD,G	NG3200-08
		AW12	320	NG3200-12
073	O RING, UNLOADER PUSH ROD	BUNA-N JB2401 P21	125 UD,G	PA2401-021
		BUNA-N JB2401 P21	160	PA2401-021
		BUNA-N JB2401 P29	200 U	PA2401-029
		BUNA-N JB2402 P30	200 UD,G	PA2402-030

"UD, U, G" SERIES

MYCOM

Bowman Refrigeration 206-706-3033

PART#	DESCRIPTION	TYPE	MODEL	CODE
073	O RING, UNLOADER PUSH ROD	BUNA-N JB2402 P35	250	PA2402-035
		BUNA-N JB2401 P44	320	PA2401-044
074	UNLOADER CYLINDER COVER		125	CS0740-C
			125	CS0740-CM3
			160	CS0740-D
			200	CS0740-E
			250	CS0740-F
			320	CS0740-G
075	O RING, UNLOADER COVER	BUNA-N JB2401 G85	125	PA2402-085
		BUNA-N JB2401 G110	160	PA2402-110
		BUNA-N JB2401 G135	200	PA2402-135
		BUNA-N JB2401 G170	250	PA2402-170
		BUNA-N JB2401 G175	250 UD-V	PA2402-175
		BUNA-N JB2401 G210	320	PA2402-210
076	ALLEN SCREW, UNLOADER COVER	M6*30	125	NB3506-030
		M8*25	160	NB3508-025
		M10*25	200	NB3510-025
		M12*30	250	NB3512-030
		M16*40	320	NB3516-040
077	INDICATOR CAM		125 S	CS0770-CS
			125 L	CS0770-CL
			160 S	CS0770-DS
			160 SUD-V	CS0770-DSV
			160 M	CS0770-DM
			160 MUD-V	CS0770-DMV
			160 L	CS0770-DL
			160 LUD-V	CS0770-DLV
			200 S	CS0770-ES
			200 SUD-V	CS0770-ESV
			200 M	CS0770-EM
			200 MUD-V	CS0770-EMV
			200 L	CS0770-EL
			200 LUD-V	CS0770-ELV
			250 S	CS0770-FS
			250 SUD-V	CS0770-FSV
			250 M	CS0770-FM
			250 MUD-V	CS0770-FMV
			250 L	CS0770-FL
			250 LUD-V	CS0770-FLV
	320 S	CS0770-GS		
	320 M	CS0770-GM		
	320 L	CS0770-GL		
078	BALL BEARING, INDICATOR CAM		125-320	CS0780-E
079	STOP RING, INDICATOR CAM	S10	125-320	NG1200-010
080	BEARING GLAND, INDICATOR CAM		125-320	CS0800-E
081	ALLEN SCREW, BEARING GLAND	M6*15	125-320	NB3506-015
082	TEFLON V RING	BUNA	125-320	CS0820-EB
083	SPRING, INDICATOR CAM		125-320	CS0830-E

"UD, U, G" SERIES

MYCOM

PART#	DESCRIPTION	TYPE	MODEL	CODE
084	SPRING RETAINER, INDICATOR CAM		125-320	CS0840-E
085	OIL INJECTION PIPE		125 SUD,G	CS0851-CS
			125 LU	CS0850-CL
			125 LUD,G	CS0851-DS
			160 SU	CS0850-DS
			160 SUD,G	CS0851-DS
			160 S/LUD-V	CS0851-DV
			160 MUD,G	CS0851-DM
			160 MUD-V	CS0851-DMV
			160 LU	CS0850-DL
			160 LUD,G	CS0851-DL
			200 SU	CS0850-ES
			200 SUD,G	CS0851-ES
			200 S/LUD-V	CS0851-EV
			200 MUD,G	CS0851-EM
			200 LU	CS0850-EL
			250 SU	CS0850-FS
			250 SUD,G	CS0851-FS
			250 SUD-V	CS0851-FSV
			250 MUD,G	CS0851-FM
			250 MUD-V	CS0851-FMV
		086	O RING, OIL INJECTION PIPE	BUNA-N JB2401 P14
BUNA-N JB2401 P16	160U			PA2401-016
BUNA-N JB2401 P21	200U			PA2401-021
BUNA-N JB2401 G25	250U			PA2402-025
BUNA-N JB2401 G30	320U			PA2402-030
087	GUIDE BLOCK ASSY		125	CS0870-C
			160	CS0870-D
			200	CS0870-E
			250	CS0870-F
			320	CS0870-G
089	O RING, GUIDE BLOCK	BUNA-N JB2401 P12	125	PA2401-012
		BUNA-N JB2401 P16	160	PA2401-016
		BUNA-N JB2401 P20	200	PA2401-020
		BUNA-N JB2401 P20	250	PA2401-020
		BUNA-N JB2401 P24	320	PA2401-024
091	SHAFT KEY		125	CS0910-C
			160	CS0910-D
			200	CS0910-E
			250	CS0910-F
			320	CS0910-G
092	SUCTION FLANGE	100A 4"	125	CS7140-100
		125A 5"	160	CS7140-125
		150A 6"	200	CS7140-150

Bowman Refrigeration 206-706-3033

"UD, U, G" SERIES

MYCOM

Bowman Refrigeration 206-706-3033

PART#	DESCRIPTION	TYPE	MODEL	CODE
092	SUCTION FLANGE	250A 10"	250	CS7140-250
		350A 14"	320	CS7140-350
093	GASKET, SUCTION FLANGE	100A 4"	125	CR7201-100
		125A 5"	160	CR7201-125
		150A 6"	200	CR7201-150
		250A 10"	250	CS0931-F
		350A 14"	320	CS0931-G
094	HEX SCREW, SUCTION FLANGE	M22*55	125	NB1422-055
		M20*55	160	NB1420-055
		M22*55	200	NB1422-055
		M24*60	250	NB1424-060
		M24*75	320 U	NB1424-075
		M24*70	320 UD	NB1424-070
095	DISCHARGE FLANGE	90A 3-1/2"	125 G,U	CS7140-090
		65CD 3-1/2"	125 UD	CS7140-066
		100CD 4"	160 G,U	CS7140-101
		100A 4"	160 UD	CS7140-100
		125CD 5"	200 G,U	CS7140-126
		125A 5"	200 UD	CS7140-125
		150CD 6"	250 G,U	CS7140-151
		150A 6"	250 UD	CS7140-150
		200CD 8"	320 U	CS7140-201
		200A 8"	320 UD	CS7140-200
096	GASKET, DISCHARGE FLANGE	90A 3-1/2"	125 G,U	CR7201-090
		65A 2-1/2"	125 UD	CR7201-065
		100A 4"	160	CR7201-100
		125A 5"	200	CR7201-125
		150A 6"	250	CR7201-150
		200A 8"	320	CR7201-200
097	HEX SCREW, DISCHARGE FLANGE	M16*55	125	NB1416-055
		M22*55	160	NB1422-055
		M20*55	200	NB1420-055
		M22*55	250	NB1422-055
		M20*55	320	NB1420-055
100	MECHANICAL SEAL ASSY		125	CS1009-C
			160	CS1009-D
			200	CS1009-E
			250	CS1009-F
			320	CS1009-G
		BOS TYPE	125	CS1000-CV
		BOS TYPE	160	CS1001-DV
		BOS TYPE	200	CS1000-EV
		BOS TYPE	250	CS1001-FV
BOS TYPE	320	CS1000-GV		
101	CARBON INSERT W/ V RING		125	CS1010-0C
			160	CS1010-0D
			200	CS1010-0E
			250	CS1010-0F
			320	CS1010-0G
		BOS TYPE	125	CS1010-4C
BOS TYPE	160	CS1010-4D		

MYCOM

SCREW COMPRESSOR TECHNICAL INFORMATION

BOS TYPE MECHANICAL SEAL ASSEMBLY

New "BOS" type mechanical seal assemblies have been installed from all compressors after the following serial numbers;

Notes:

- 1) BOS type and old type seal assy are not inter-changeable each other.

Model	S/N
125S	1252130 and up
125L	1213224 and up
160S	1653549 and up
160M	1632469 and up
160L	1614093 and up
200S	2053805 and up
200M	2030570 and up
200L	2013865 and up
250S	2553098 and up
250M	2532367 and up
250L	2513032 and up
320S	3251478 and up
320M	3231224 and up
320L	3211478 and up

Compound Please consult

"UD, U, G" SERIES

MYCOM

Bowman Refrigeration 206-706-3033

PART#	DESCRIPTION	TYPE	MODEL	CODE
101	CARBON INSERT W/ V RING	BOS TYPE	200	CS1010-4E
		BOS TYPE	250	CS1010-4F
		BOS TYPE	320	CS1010-4G
103	O RING, CARBON INSERT	BUNA-N JW1516 P32	125	PA1516-032
		BUNA-N JW1516 P35	160	PA1516-035
		BUNA-N JW1516 P40	200	PA1516-040
		BUNA-N JB2401 P85	250	PA2401-085
		BUNA-N JB2401 P110	320	PA2401-110
		NEOPRENE JW1516 P32	125	PB1516-032
		NEOPRENE JW1516 P35	160	PB1516-035
		NEOPRENE JW1516 P40	200	PB1516-040
		NEOPRENE JW1516 P43	250	PB1516-043
		NEOPRENE JB2401 P110	320	PB2401-110
103	TEFLON V RING, CARBON INSERT		125	CS1030-C
			160	CS1030-D
			200	CS1030-E
			250	CS1030-F
			320	CS1030-G
104	SEAL RING W/ O RING	BOS TYPE	125	CS1040-1C
		BOS TYPE	160	CS1040-1D
		BOS TYPE	200	CS1040-1E
		BOS TYPE	250	CS1040-1F
		BOS TYPE	320	CS1040-1G
104	SEAL RING W/ V RING		125	CS1040-0C
			160	CS1040-0D
			200	CS1040-0E
			250	CS1040-0F
			320	CS1040-0G
106	BACKUP RING	BOS TYPE	125	CS1060-CB
		BOS TYPE	160	CS1060-DB
		BOS TYPE	200	CS1060-EB
		BOS TYPE	250	CS1060-FB
		BOS TYPE	320	CS1060-GB
106	TEFLON V RING, SEAL RING		125	CS1060-0C
			160	CS1060-0D
			200	CS1060-0E
			250	CS1060-0F
			320	CS1060-0G
107	COMPRESSION RING		125	CS1070-C
			160	CS1070-D
			200	CS1070-E
			250	CS1070-F
			320	CS1070-G
110	SPRING SET, MECHANICAL SEAL	(SET OF 8)	125	CS1109-C
		(SET OF 12)	160-200	CS1109-D
		(SET OF 16)	250-320	CS1109-F
110	SPRING, MECHANICAL SEAL		125	CS1100-C
			160-200	CS1100-C
			250-320	CS1100-F

"UD, U, G" SERIES

MYCOM

Bowman Refrigeration 206-706-3033

PART#	DESCRIPTION	TYPE	MODEL	CODE
111	SET SCREW, SEAL COLLAR	(SUS) M6*8	125-320	NA8706-008
120	UNLOADER INDICATOR ASSY	0-100%	125	CS1209-0CF
		0-50%	125	CS1209-0CH
		0-100%	160-320	CS1209-0EF
		0-50%	160-320	CS1209-0BH
121	MICRO SWITCH BASE PLATE		125	CS1210-C
			160-320	CS1210-E
122	ALLEN SCREW, MICRO SWITCH BASE PLATE	M6*25	125	NB3506-025
		M6*15	160-320	NB3506-015
123	MICRO SWITCH SET PLATE		125	CS1230-C
			160-320	CS1230-E
124	PHILIPS SCREW, MICRO SWITCH BASE PLATE	M3*8	125	NA2203-008
		M3*10	160-320	NA2203-010
125	MICRO SWITCH		160-320	CS1250-E
125	MICRO SWITCH SET		125	CS1259-C
126	PHILIPS SCREW, MICRO SWITCH BASE PLATE	M2.5*8	125	NA2202-08
		M3*25	160-320	NA2203-025
127	MICRO SWITCH CAM	0-100%	125	CS1270-CF
		0-50%	125	CS1270-CH
		0-100%	160-320	CS1270-EF
		0-50%	160-320	CS1270-EH
		[3]	160-320	CS1270-EM3
128	SET SCREW, MICRO SWITCH CAM	M4*5	125-320	NA8604-005
129	POTENTIOMETER	500 OHM	125-320	CS1290-E05
		1K OHM	125-320	CS1290-E10
130	SET PLATE, POTENTIOMETER	POTENTIOMETER SET	125-320	CS1300-E
131	PHILIPS SCREW, POTENTIOMETER	M3*5	125	NA2203-005
		M3*5	160-320	NA2203-005
132	TERMINAL BLOCK	LK3P	125	CS1320-C
		LK6P	160-320	CS1320-E6
133	PHILIPS SCREW, TERMINAL BLOCK	M3*25	125	NA2203-025
		PHIL. SCREW M3*20	160-320	NA2203-020
134	SUPPORT ARM	[1] SHORT	125-320	CS1340-E1
		[2] LONG	125-320	CS1340-E2
		[3]	125	CS1340-C3
136	SET SCREW, SUPPORT ARM	M4*10	125	NA8604-010
		M3*10	160-320	NA8603-010
137	INDICATOR DIAL		125-320	CS1370-E
			160-250 UD-V	CS1370-EV
139	INDICATOR DIAL NEEDLE		125-320	CS1390-E
140	PHILIPS SCREW, INDICATOR DIAL	M3*8	125-320	NA2203-008
141	INDICATOR GLASS		125-320	CS1410-E

"UD, U, G" SERIES

MYCOM

Bowman Refrigeration 206-706-3033

PART#	DESCRIPTION	TYPE	MODEL	CODE
142	SPACER RING, INDICATOR COVER		125-320	CS1420-E
143	ELECTRIC WIRING CONNECTOR		125-320	CS1430-E
144	SUPPORT, WIRING CONNECTOR		125 160-320	CS1440-C CS1440-E
145	ALLEN SCREW, WIRING CONNECTOR SUPPORT M6*15		125-320	NB3506-015
146	INDICATOR COVER	AUTO	125 160-320	CS1460-CA CS1460-EA
147	ALLEN SCREW, INDICATOR COVER	M6*60 M6*15	125 160-320	NB3506-060 NB3506-015
148	PLUG, WIRING CONNECTING SUPPORT	PT 3/4	160-320	NF0600-20
149	INSULATOR, MICRO SWITCH		125	CS1490-C
150	O RING, THRUST BEARING GLAND	BUNA-N JB2401 G220	320	PA2402-220
164	OIL INJECTION PIPE GLAND		125-160 200 250	CS1640-D CS1640-E CS1640-F
166	ALLEN SCREW, OIL INJ. PIPE GLAND	M5*12 M5*10	125-250 320	NB3505-012 NB3505-010
214	SPRING PIN, POTENTIOMETER SHAFT	2*8	125-320	NE3202-008
215	FLANGE, OIL SUPPLY	20A 3/4" 25A 1" 40A 1-1/2"	200 250 320	CR7400-020 CR7400-025 CR7400-040
215	PLUG, OIL SUPPLY	PT 3/8 PT 1/2	125 160	NF0600-10 NF0600-15
216	GASKET, OIL SUPPLY FLANGE	20A 3/4" 25A 1" 40A 1-1/2"	200 250 320	CR7201-020 CR7201-025 CR7201-040
217	HEX SCREW, OIL SUPPLY FLANGE	M12*40	200-320	NB1412-040
218	FLANGE, OIL INJECTION	25A 1"	320	CR7400-025
218	PLUG, OIL INJECTION	PT 3/8 PT 1/2	125-160 200-250	NF0600-10 NF0600-15
219	FLANGE, OIL INJECTION	25A 1"	250	CR7201-025
220	HEX SCREW, OIL INJECTION FLANGE	M12*40	320	NB1412-040
235	SPACER, DISCHARGE FLANGE	65A 2-1/2" 100A 4" 125A 5" 150A 6" 200A 8"	125 160 200 250 320	FX1010-125 FX1010-160 FX1010-200 FX1010-250 FX1010-320
236	GASKET, DISCH. FLANGE SPACER	65CD 100CD 125CD 150CD 200CD	125 160 200 250 320	CS2361-C CS2361-D CS2361-E CS2361-F CS2361-G

"UD, U, G" SERIES

MYCOM

Bowman Refrigeration 206-706-3033

PART#	DESCRIPTION	TYPE	MODEL	CODE
237	TORSIONAL SLIP WASHER		125	CS2370-C
			160	CS2370-D
			200	CS2370-E
			250	CS2370-F
			320	CS2370-G
246	SLIDE VALVE SUPPORT		125	CS2460-C
			160	CS2460-D
			160 UD-V	CS2460-DV
			200	CS2460-E
			200 UD-V	CS2460-EV
			250	CS2460-F
			250 UD-V	CS2460-FV
	320	CS2460-G		
247	ALLEN SCREW, SLIDE VALVE SUPPORT	M6*45	125 UD,G	NB3506-045
		M6*60	160 UD,G	NB3506-060
		M8*70	200 UD,G	NB3508-070
		M8*90	250 UD,G	NB3508-090
		M10*100	320 UD,G	NB3510-100
248	SPRING WASHER, SLIDE VALVE SUPPORT	M6	125-160	ND3200-06
		M8	200-250	ND3200-08
		M10	320	ND3200-10
249	ALIGNMENT PIN, SLIDE VALVE SUPPORT	6*35	125	NE2006-035
		6*50	160	NE2006-050
		8*60	200	NE2008-060
		8*80	250	NE2008-080
		13*100	320	NE2013-100
250	NEW THRUST BEARING WASHER		125	CS2500-C
			160	CS2500-D
			200	CS2500-E
			250	CS2500-F
			320	CS2500-G
251	FLANGE, ECONOMIZER	15A 1/2"	125	CR7400-015
		25A 1"	160	CR7400-025
		32A 1-1/4"	200	CR7400-032
		50A 2"	250	CR7400-050
		80A 3"	320	CR7400-080
252	GASKET, ECONOMIZER FLANGE	15A 1/2"	125	CR7201-015
		25A 1"	160	CR7201-025
		32A 1-1/4"	200	CR7201-032
		50A 2"	250	CR7201-050
		80A 3"	320	CR7201-080
253	HEX SCREW, ECONOMIZER FLANGE	M12*30	125 UD,G	NB1212-030
		M12*35	160 UD,G	NB1412-035
		M12*35	200 UD,G	NB1412-035
		M16*40	250 UD,G	NB1416-040
		M20*50	320 UD,G	NB1420-050
254	FLANGE, LIQUID INJECTION	10A 3/8"	125	CR7400-010
		20A 3/4"	160	CR7400-020
		25A 1"	200	CR7400-025

"UD, U, G" SERIES

MYCOM

Bowman Refrigeration 206-706-3033

PART#	DESCRIPTION	TYPE	MODEL	CODE
254	FLANGE, LIQUID INJECTION	32A 1-1/4"	250	CR7400-032
		50A 2"	320	CR7400-050
255	GASKET, LIQUID INJECTION FLANGE	10A 3/8"	125	CR7201-010
		20A 3/4"	160	CR7201-020
		25A 1"	200	CR7201-025
		32A 1-1/4"	250	CR7201-032
		50A 2"	320	CR7201-050
256	HEX SCREW, LIQUID INJECTION FLANGE	M12*30	125 UD,G	NB1212-030
		M12*35	160 UD,G	NB1412-035
		M12*35	200 UD,G	NB1412-035
		M12*35	250 UD,G	NB1412-035
		M16*40	320 UD,G	NB1416-040
257	GASKET, OIL INJECTION FLANGE	25A 1"	320	CR7201-025
258	GASKET, LUB. OIL FLANGE	25A 1"	200-250	CR7201-025
		40A 1-1/2"	320	CR7201-040
265	SPRING WASHER, MICRO SWITCH	M2.5	125	ND3200-02
		M3	125-250	ND3200-03
267	SPRING WASHER, UNLOADER SLIDE VALVE	M6	125	ND3200-06
		M8	160	ND3200-08
		M10	200	ND3200-10
		M12	250	ND3200-12
		M20	320	ND3200-20
272	SIDE BEARING COLLAR		125	CS2721-C
			160	CS2721-D
			200	CS2721-E
			250	CS2721-F
			320	CS2721-G
273	MAIN BEARING COLLAR		125	CS2731-C
			160	CS2731-D
			200	CS2731-E
			250	CS2731-F
			320	CS2731-G
275	BALANCE PISTON SPACER		125	CS2750-C
			160	CS2750-D
276	THRUST BEARING SPACER		125	CS2760-C
			160	CS2760-D
289	VI SLIDE VALVE		160 SUD-V	CS2890-DSV
			200 SUD-V	CS2890-ESV
			250 SUD-V	CS2890-FSV
			160 LUD-V	CS2890-DLV
			250 LUD-V	CS2890-FLV
			200 LUD-V	CS2890-ELV
290	GUIDE BLOCK, VI SLIDE VALVE		160 SUD-V	CS2900-DSV
			160 LUD-V	CS2900-DLV
			200 SUD-V	CS2900-ESV
			200 MUD-V	CS2900-EMV
			200 LUD-V	CS2900-ELV

"UD, U, G" SERIES

MYCOM

Bowman Refrigeration 206-706-3033

PART#	DESCRIPTION	TYPE	MODEL	CODE
290	GUIDE BLOCK, VI SLIDE VALVE		250 SUD-V	CS2900-FSV
			250 MUD-V	CS2900-FMV
			250 LUD-V	CS2900-FLV
292	PUSH ROD, VI SLIDE VALVE		160 SUD-V	CS2929-DSV
			160 LUD-V	CS2929-DLV
			200 SUD-V	CS2929-ESV
			200 MUD-V	CS2929-EMV
			200 LUD-V	CS2929-ELV
			250 SUD-V	CS2929-FSV
			250 MUD-V	CS2929-FMV
			250 LUD-V	CS2929-FLV
293	STOP RING, VI SLIDE VALVE	S35	160 UD-V	NG1200-035
		S40	160 UD-V	NG1200-040
		S50	200 UD-V	NG1200-050
		S55	250 UD-V	NG1200-055
294	PISTON, VI SLIDE VALVE		160 UD-V	CS2940-DV
			200 UD-V	CS2940-EV
			250 UD-V	CS2940-FV
295	O RING, VI SLIDE VALVE PISTON	BUNA-N JB2401 G35	160 UD-V	PA2402-035
		BUNA-N JB2401 G50	200 UD-V	PA2402-050
		BUNA-N JB2401 G55	250 UD-V	PA2402-055
296	CYLINDER, VI SLIDE VALVE		160 UD-V	CS2960-DV
			200 UD-V	CS2960-EV
			250 UD-V	CS2960-FV
297	PARTITION PLATE, VI SLIDE VALVE		160 SUD-V	CS2970-DSV
			160 LUD-V	CS2970-DLV
			200 UD-V	CS2970-EV
			250 UD-V	CS2970-FV
298	O RING, PARTITION PLATE	BUNA-N JB2401 G115	160 UD-V	PA2402-115
		BUNA-N JB2401 G140	200 UD-V	PA2402-140
		BUNA-N JB2401 G170	250 UD-V	PA2402-170
299	SPACER, VI SLIDE VALVE		160 SUD-V	CS2990-DSV
			160 MUD-V	CS2990-DMV
			160 LUD-V	CS2990-DLV
			200 SUD-V	CS2990-ESV
			200 MUD-V	CS2990-EMV
			200 LUD-V	CS2990-ELV
			250 SUD-V	CS2990-FSV
			250 MUD-V	CS2990-FMV
324	O RING, VI SLIDE VALVE CYLINDER	BUNA-N JB2401 G125	160 UD-V	PA2402-125
		BUNA-N JB2401 G150	200 UD-V	PA2402-150
		BUNA-N JB2401 G190	250 UD-V	PA2402-190
325	O RING, VI SLIDE VALVE PUSH ROD	BUNA-N JB2401 P30	160 UD-V	PA2401-030
		BUNA-N JB2401 P40	200 UD-V	PA2401-040
		BUNA-N JB2401 P46	250 UD-V	PA2401-046
326	O RING GLAND, UNLOADER		320	CS3260-G

"UD, U, G" SERIES

MYCOM

PART#	DESCRIPTION	TYPE	MODEL	CODE
331	O RING, VI SLIDE VALVE EXTERIOR	BUNA-N JB2401 G125	160 UD-V	PA2402-125
		BUNA-N JB2401 G160	200 UD-V	PA2402-160
		BUNA-N JB2401 G200	250 UD-V	PA2402-200
704	HAND TOOL KIT		125	CS7041-C
			160	CS7041-D
			200	CS7041-E
			250	CS7041-F
			320	CS7041-G
710	O-RING KIT	BUNA-N	125 U	CS7109-0C
		BUNA-N	125 UD,G	CS7109-1C
		BUNA-N	160 U	CS7109-0D
		BUNA-N	160 UD,G	CS7109-1D
		BUNA-N	160 UD-V	CS7109-1DV
		BUNA-N	200 U	CS7109-0E
		BUNA-N	200 UD,G	CS7109-1E
		BUNA-N	200 UD-V	CS7109-1EV
		BUNA-N	250 U	CS7109-0F
		BUNA-N	250 UD,G	CS7109-1F
		BUNA-N	250 UD-V	CS7109-1FV
		BUNA-N	320 U	CS7109-0G
		BUNA-N	320 UD	CS7109-1G
710	O-RING KIT		125 U,G	CS7118-0C
			125 UD	CS7118-1C
			160 U,G	CS7118-0D
			160 UD	CS7118-1D
			160 UD-V	CS7118-1DV
			200 U,G	CS7118-0E
			200 UD	CS7118-1E
			200 UD-V	CS7118-1EV
			250 U,G	CS7118-0F
			250 UD	CS7118-1F
			250 UD-V	CS7118-1FV
			320 U	CS7118-0G
			320 UD	CS7118-1G

Bowman Refrigeration 206-706-3033