



Insight Difference

The J-Series with its innovative new rotor profile will revolutionize the refrigeration industry. With this winning design, our focus being driven towards energy efficiency, the COP (Coefficient of Performance) has even surpassed Mayekawa's high standards.

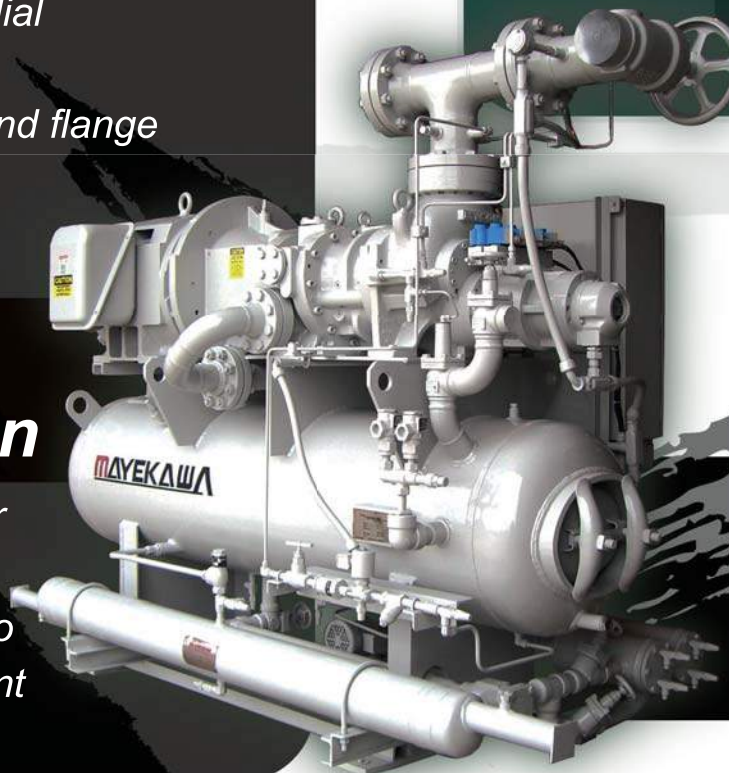
Benefits

- ✓ Energy Savings
- ✓ Extremely low noise and vibration
- ✓ 508 PSIG design pressure for a wide range of applications
- ✓ API (American Petroleum Institute) grade hydro dynamic radial bearings for a reliable and efficient operation.
- ✓ Flange motor for easy motor alignment*. Both compressor and flange spacer are base mounted for ease of service.

* (flange mounted motors on 170 and 220 only)

Significant Benefits In Low Temperature Application

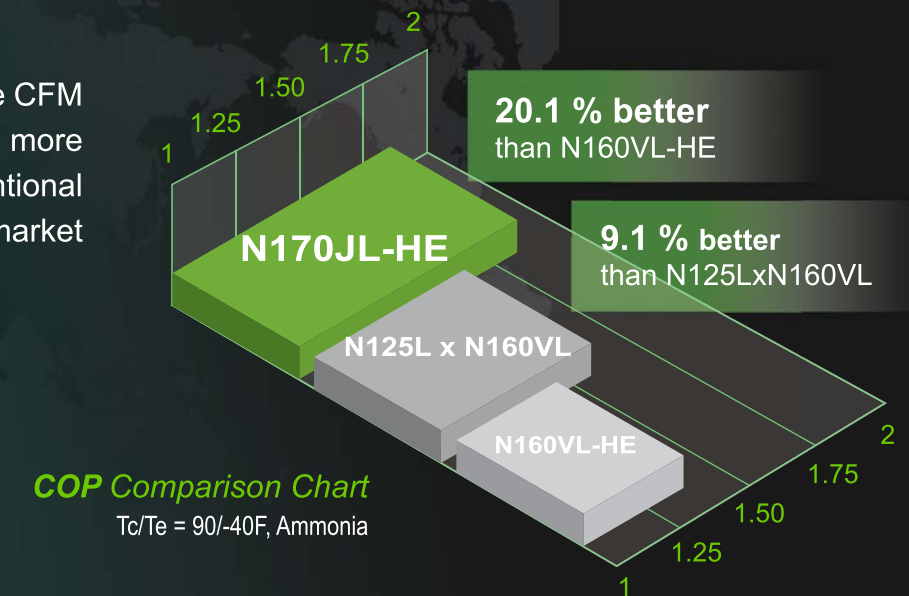
The J-series is more efficient than current screw compressor designs. This is evident when operating at single stage economized operating conditions, or even when compared to a conventional two stage arrangement. This makes your plant design simpler, saves space, and is more cost effective.



Environmental Sustainability

The key driving force behind the Mayekawa (Mycom) Company is to make products that can better service you the customer and our surrounding environment. Mayekawa is focusing its efforts on technological research and development to simultaneously achieve "Energy Savings" and be "Chemical Refrigerant Free." The J-series is that next step.

The J-series provides more CFM for less HP. It is up to 20% more efficient than any conventional screw compressor on the market today.



J PROFILE New Rotor Lobe Profile

J profile engineering allows a more proficient meshing between the lobes, which are now 5 and 6 for male and female respectively. The end result is superior performance.





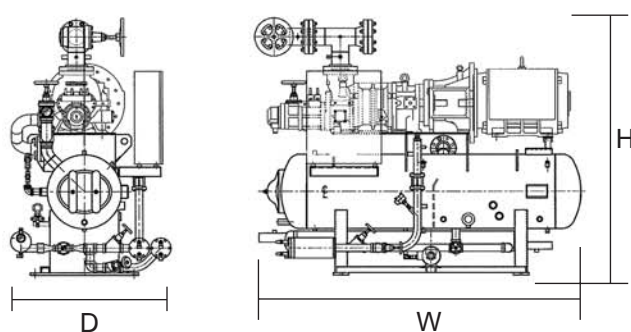
J-Series Screw Compressor

Specifications

Item	Unit of measure	170J (S, M, L)	220J (S, M, L)	280J (S, M, L)
Refrigerant in use	-	NH3, HFC, CO2, and HC refrigerants		
Weight of unit (without motor)	lbs	S 4,860 / M 4,904 / L 4,970	S 7,700 / M 7,876 / L 8,010	S 18,750 / M 19,080 / L 19,520
Minimum rotation	rpm	1450		
Maximum rotation	rpm	4500		
Displacement @3550rpm	CFM	S 276 / M 359 / L 467	S 606 / M 788 / L 1,025	S 1,335/M 1,735/L 2,259
Capacity control	-	25 to 100% (or 30 to 100% in the case of L size)		
Vi control	-	Standard: 2.5 to 5.0 (Low Vi model: 2.0 to 3.5)		
Design pressure	PSIG	508		
Minimum suction temperature	°C [°F]	-50 [-58]		
Maximum discharge temperature	°C [°F]	100 [212]		

*220J and 280J for reference only.

Outer Dimensions



	170J	220J	280J
W (mm [inch])	2637 [103 13/16]	3556 [140]	5232 [206]
D (mm [inch])	1314 [51 3/4]	1524 [60]	1778 [70]
H (mm [inch])	2044 [80 7/16]	2591 [102]	3150 [124]

* 220J and 280J for reference only.

*Information on this brochure is for reference only. Subject to change without notice.



The New Standard

J-Series Screw Compressor Package



MYCOM

Natural is what we design for!

www.mayekawausa.com

www.mycomcanada.com

www.mayekawa.com

For further information, please contact the nearest MYCOM office.

Chicago, IL
Torrance, CA
Salinas, CA
San Francisco, CA
Seattle, WA
Houston, TX
San Antonio, TX
Charlotte, NC
Miami, FL
York, PA
Tarrytown, NY
Vancouver, BC (Canada)
Toronto, ON (Canada)

P: 773-516-5070
P: 310-328-1362
P: 831-751-3004
P: 650-378-1235
P: 425-645-9400
P: 281-447-2599
P: 210-599-4536
P: 704-896-3632
P: 305-477-5741
P: 717-779-0138
P: 914-301-9770
P: 604-270-1544
P: 905-564-0664

F: 773-516-5071
F: 310-782-6759
F: 831-751-1388
F: N/A
F: 425-353-3344
F: 281-447-6623
F: 210-599-4538
F: 704-896-3697
F: 305-477-5681
F: 717-779-0109
F: 914-332-0400
F: 604-270-9870
F: 905-564-7614



Bowman Refrigeration 206-706-3033