

MODEL NUMBER SIGNIFICANCE CHART

1		2		3		4		5		6		7	8	9	10
5		H		1		2		0		-		1	5	2	4

5 = OPEN COMPRESSOR

H = 3 1/4" DIA. BORE

NUMBER OF CYLINDERS
(4,5,8 OR 12)

0 = ORIGINAL DESIGN

6 = LONG STROKE

HYPHEN

SEQUENTIAL ONLY

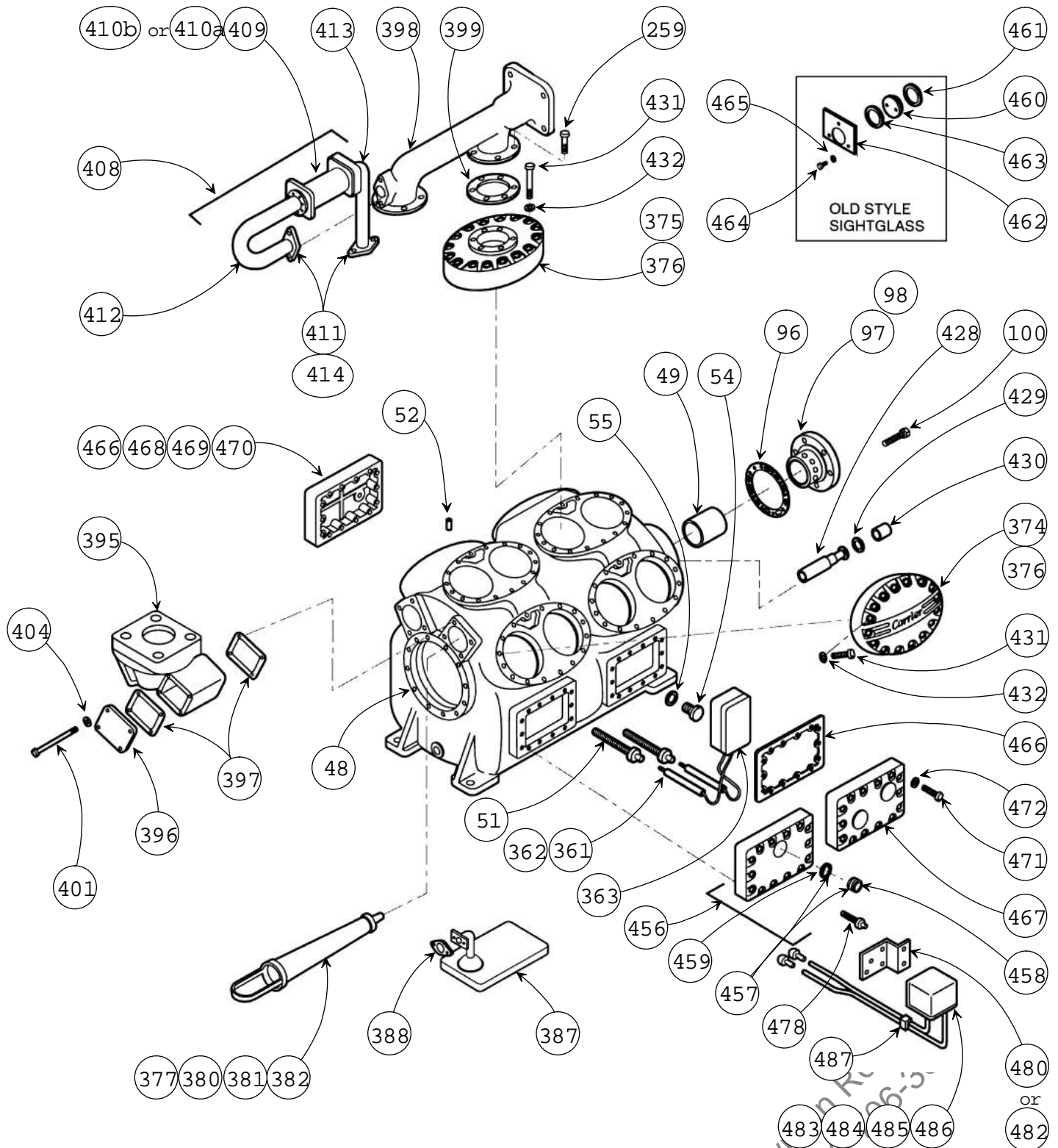
USED FOR SALVAGE PARTS
AND PROCEDURES

-S1 = .010 UNDERSIZE

-S2 = .020

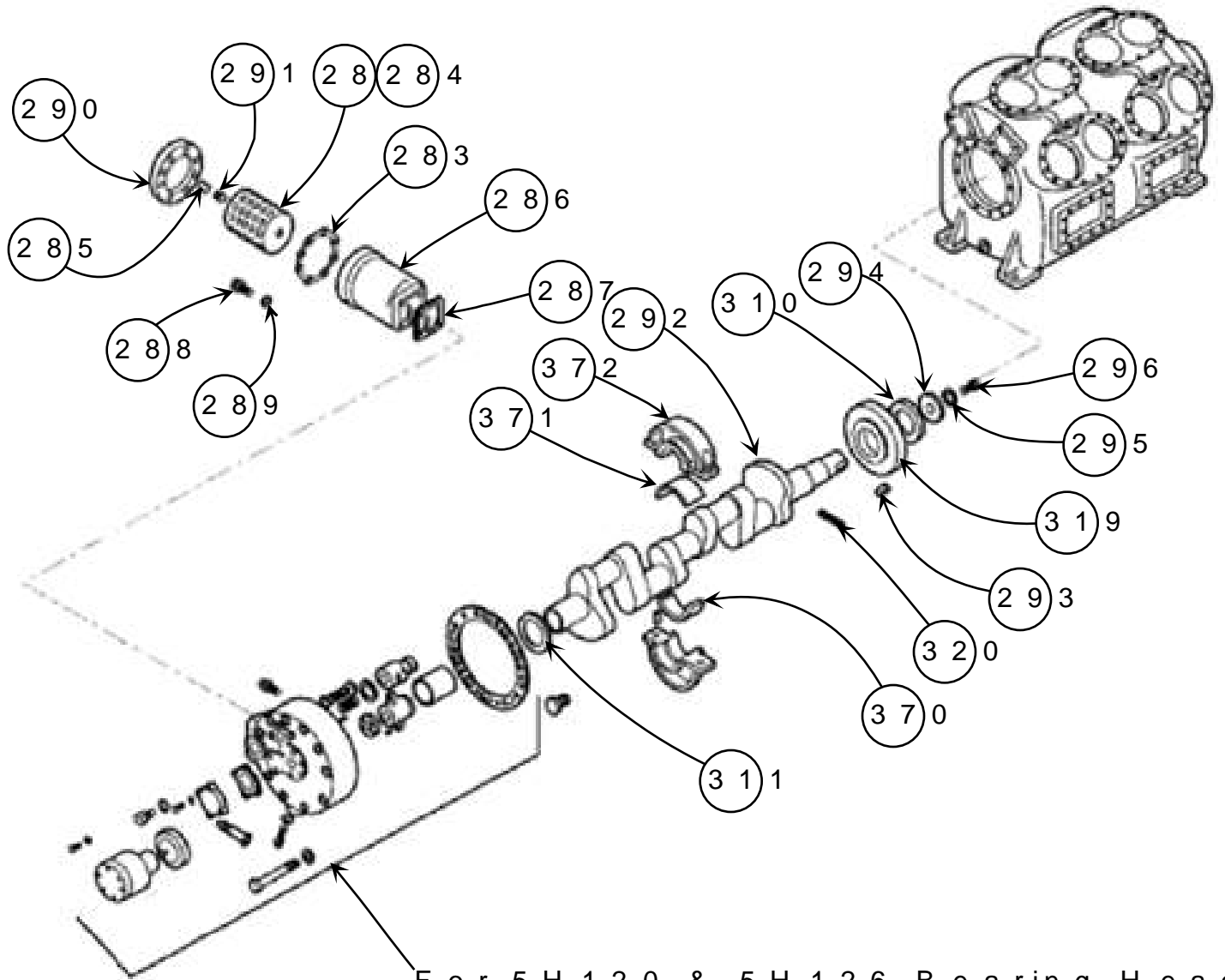
-S3 = .030

Bowman Refrigeration
206-706-3033



5H120,126 SHOWN

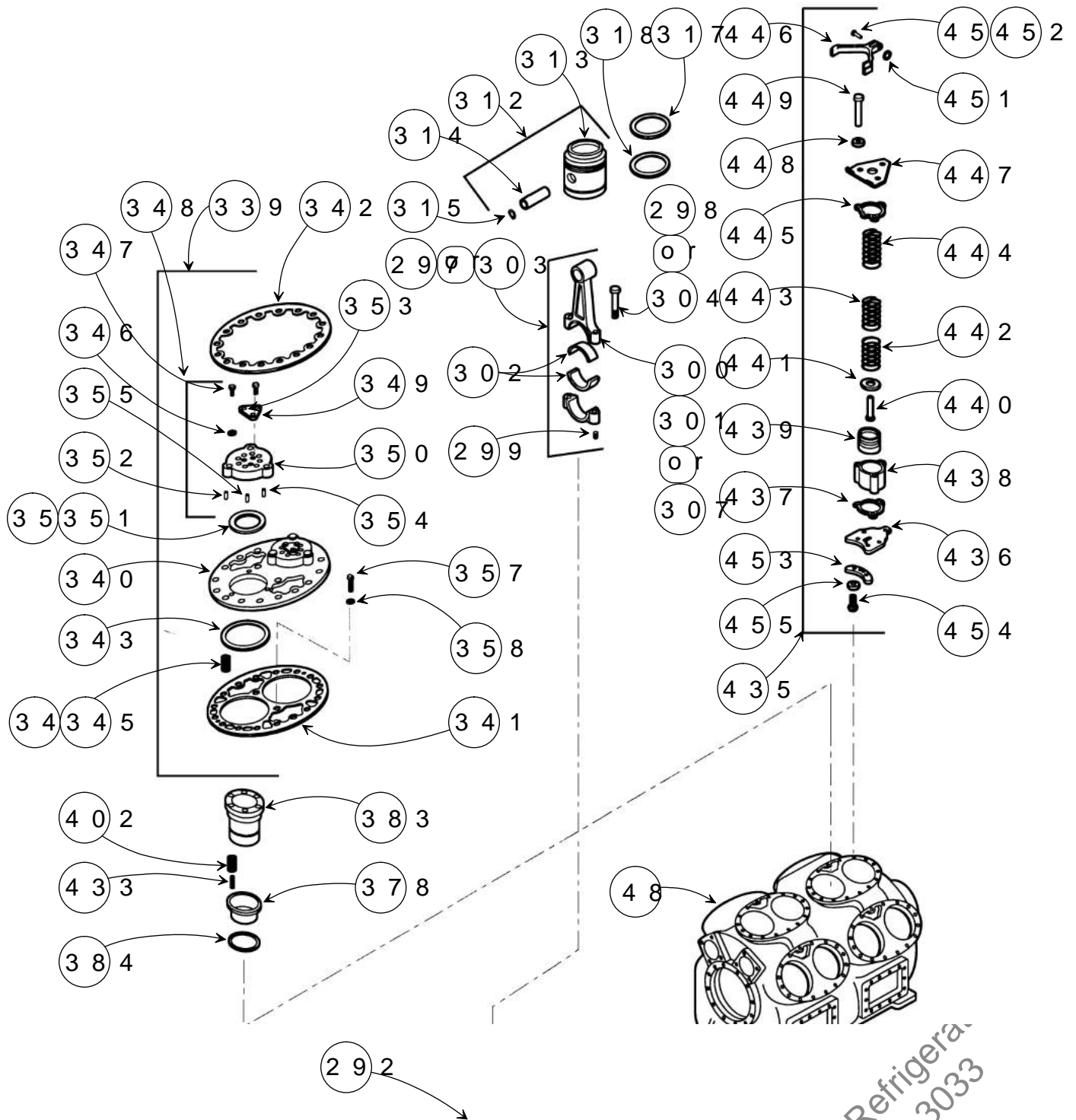
Bowman R-1
206-206-5



For 5H120 & 5H126 Bearing Head A
 Information Refer To Views On Graph
 05002002

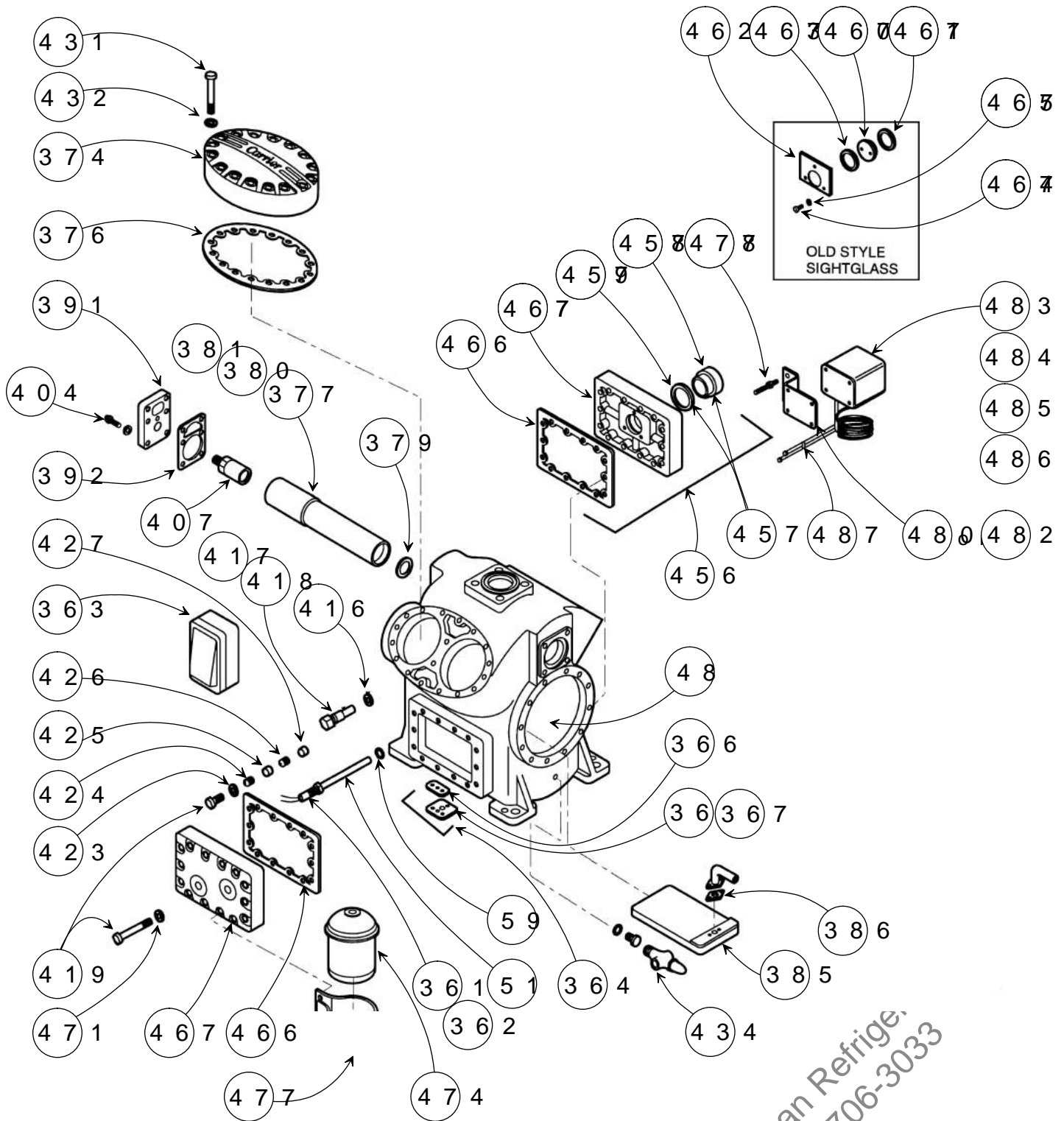
5H120 & 5H126 Shown

Bowman Refrigeration
 206-706-3033



5H120, 126 SHOWN

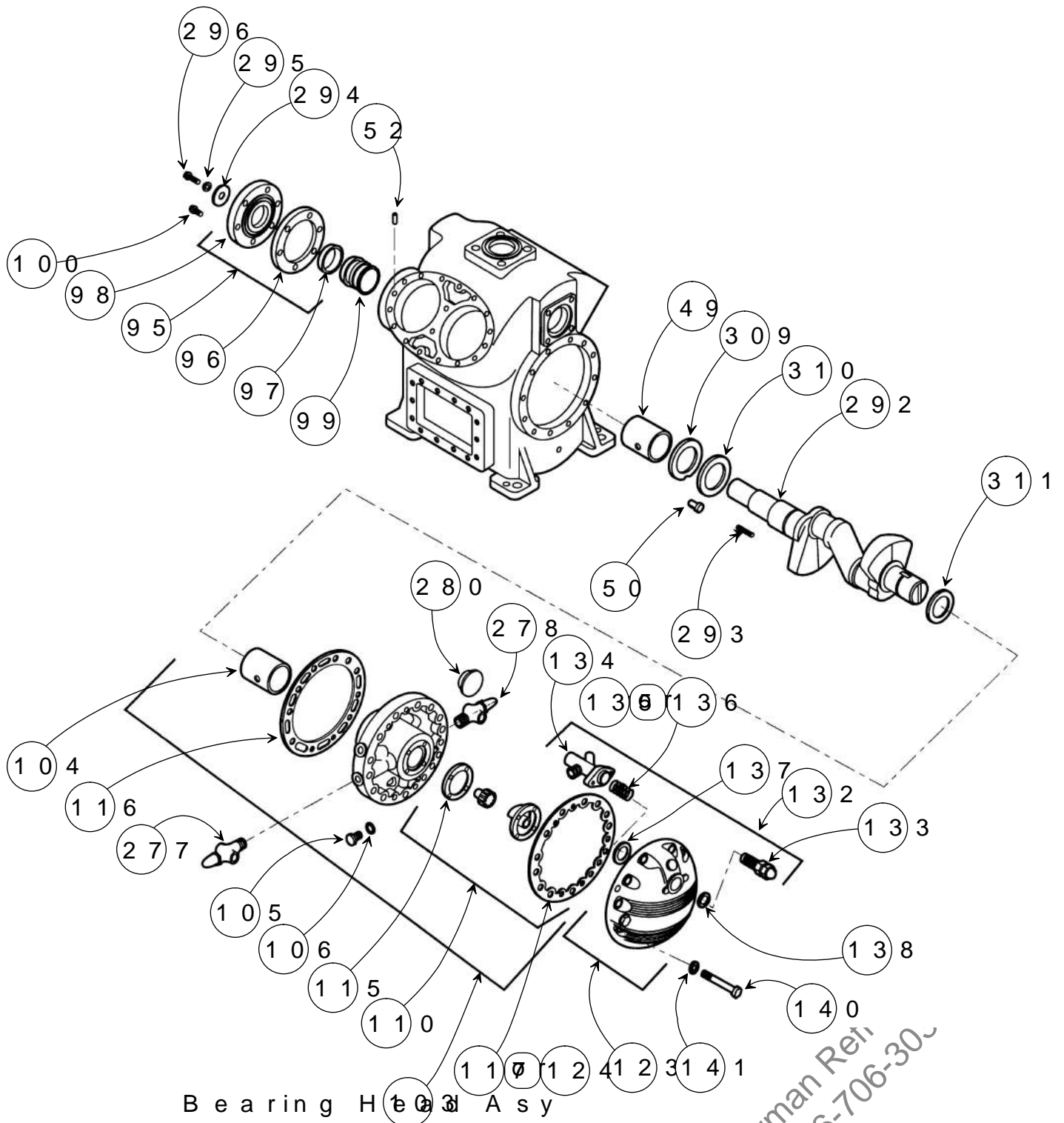
*Bowman Refrigeration
206-706-3033*



OLD STYLE SIGHTGLASS

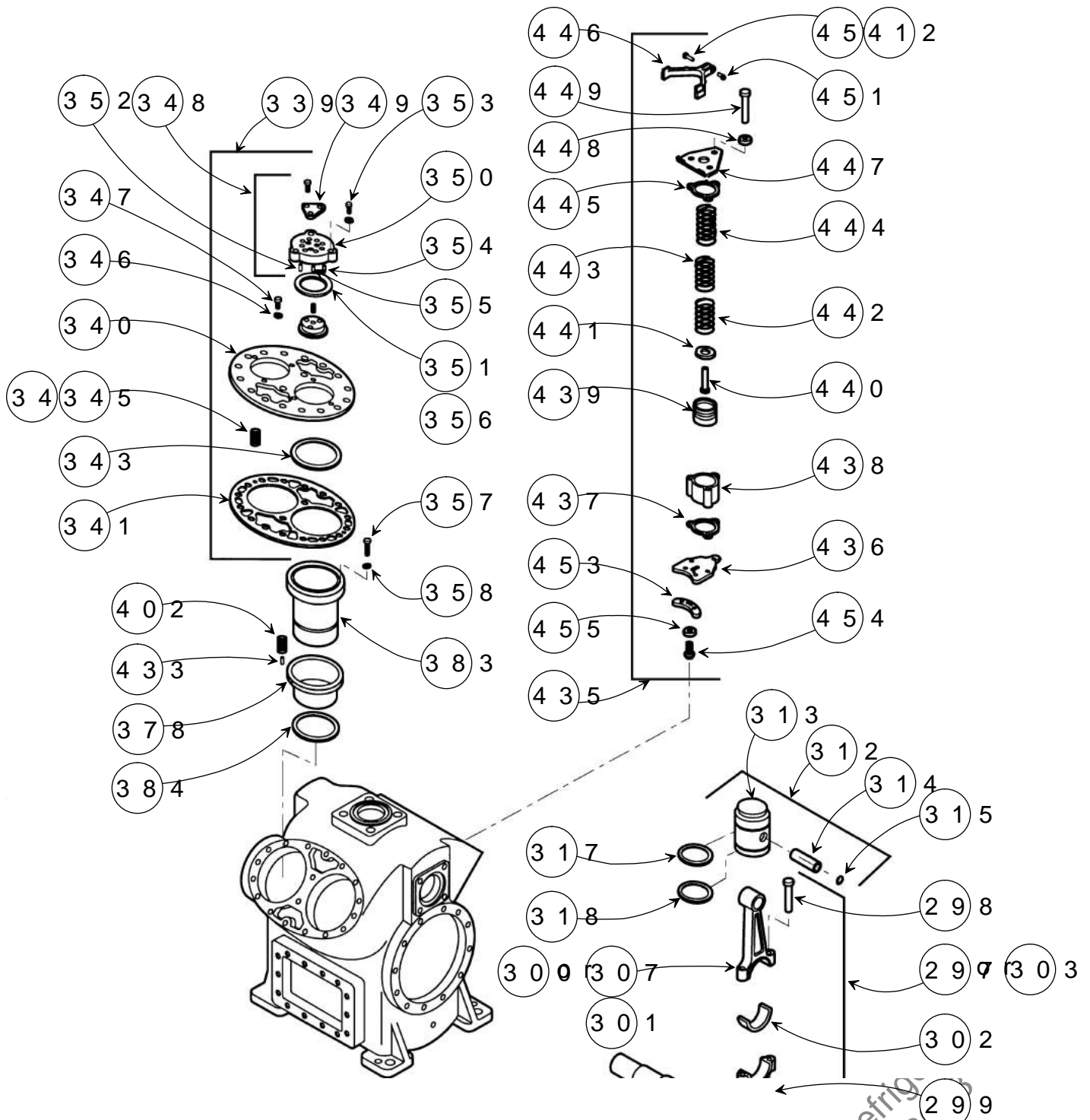
5H40, 46 SHOWN

*Bowman Refrige.
206-706-3033*



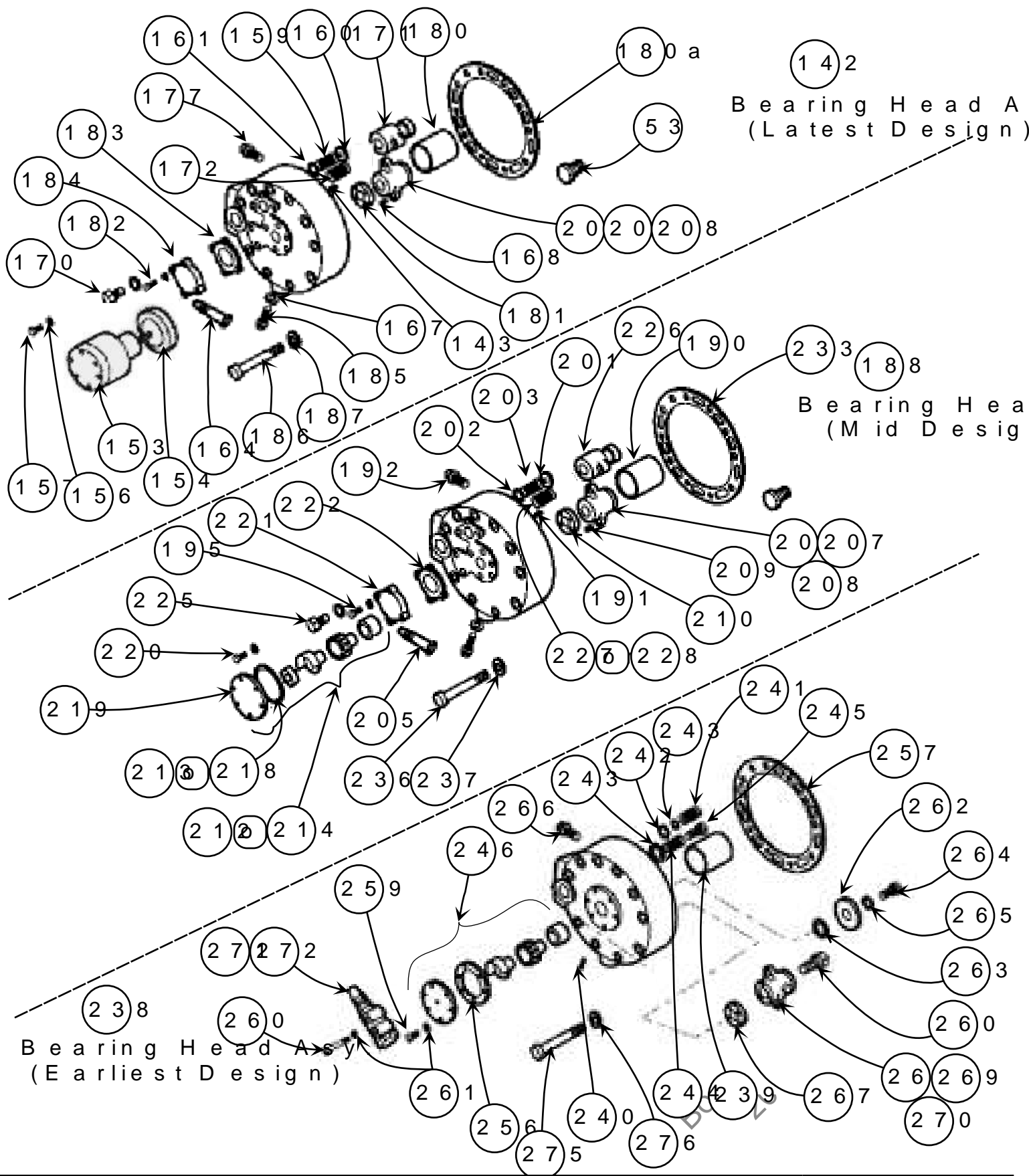
5H40, 46 SHOWN

Bowman Ref
206-706-30



5H40, 46 SHOWN

Bowman Refrigeration
206-706-3000



Model 5H060.....

Description OPEN DRIVE COMPRESSORS BELT & DIRECT DRIVE, 6 CYL

Itm#	Qty	Rec	Part Number	Description
1E	1	-	5H60S219	NEW SERVICE WITH UNLOADERS (4)
1F	1	-	5H60A219	REMAN SERVICE WITH UNLOADERS (4)
2	1	-	5H60A382	SERVICE PARTS PACKAGE(COMPR INSTALL): NOTE: THIS PACKAGE IS INCLUDED WITH EACH SERVICE COMPRESSOR AND CONTAINS SUCTION FILTER PARTS AND SERVICE VALVE GASKETS.
12	1	R	06LA660010	DISCHARGE SERVICE VALVE PKG(MUELLER): Includes: Items 13 - 20 (Important! see note for item #38). For Henry valve option see item #3.
13	1	R	NSS	> SERVICE VALVE (MUELLER)
14	1	R	6L651101	> GASKET,SERVICE VALVE
15	4	-	NSS	> CAPSCREW,HEXHEAD
16	1	-	EN99ZA011	> VALVE CAP (MUELLER)
18	1	-	EM99AA520	> ADAPTER (TAILPIECE)(MUELLER)
19	1	-	EM99GA520	> GASKET,ADAPTER (MUELLER)
20	1	-	EM99FA520	> COMPANION FLANGE (MUELLER)
30	1	R	06LA660010	SUCTION SERVICE VALVE PKG (MUELLER): Includes: Items 31 - 38 (Important! see note for item #38). For Henry valve option see item #21.
30A	1	R	6L651101	> GASKET,SERVICE VALVE
31	1	R	NSS	> SERVICE VALVE (MUELLER)
33	4	-	NSS	> > CAPSCREW,HEXHEAD
34	1	-	EN99ZA011	> > VALVE CAP (MUELLER)
36	1	-	EM99AA520	> > ADAPTER (TAILPIECE)(MUELLER)
37	1	-	EM99GA520	> > GASKET,ADAPTER (MUELLER)
38	1	-	EM99FA520	> COMPANION FLANGE (MUELLER): NOTE: THE ADAPTERS LISTED ARE TO ADAPT OLD 4 & 8 BOLT VALVE MOUNTING TO THE CURRENTLY AVAILABLE 4 BOLT SERVICE VALVES. THE 5H120-126 COMPR HAVE NO ADAPTERS AVAILABLE. IF AN 8 BLT VALVE NEEDS TO BE REPLACED YOU MUST CHANGE MANIFOLDS TO 4 BOLT VALVE TYPES. (Items 395 & 398). TO REPLACE OLD 8 BOLT SERVICE VALVES ON A 5H60/66 YOU MUST USE A 3 1/8 VALVE EM13FA520 (SUCT/DISCH) & USE 5H80-1774 ADAPTER & 5H60-1632 GSKT FOR ADAPTER & 6L65-1101 GSKT FOR VALVE. TO REPLACE 5H80/86 OLD 8 BOLT SERVICE VALVES YOU MUST USE EM13FA520 (SUCT & DISCH) AND A 5H80-1794 ADAPTER FOR SUCTION OR A 5H80-1774 ADAPTER FOR DISCHARGE.USE SAME GSKS AS FOR 60/66 SIZE.ON 5H120/126 COMPR'S TO REPLACE 8 BOLT VALVES YOU USE VALVE EM13FA524 (SUCT/DISCH) & GSKT EP29YC780.THERE ARE NO ADAPT -ERS AVAILABLE SO FOR SUCT YOU MUST ORDER 5H120-1299 MANIFOLD. FOR DISCH ORDER 5H120-1279. THE 5H60/66 DISCH & 5H80/86 SUCT VALVES REQ THE USE OR REDUCING COUPLINGS TO ADAPT TO ORIGINAL LINE SIZES OF OLD 8 BOLT VALVES THAT ARE NO LONGER AVAILABLE. STARTING 6/73 FOR AN UNDETERMINED LENGTH OF TIME THE 5H40/46 COMPR'S HAD TO SWITCH TO A MUELLER VALVE & ADAPTER TO REPLACE AN UNAVAILABLE HENRY VALVE. THE SPACING ON MUELLER WAS A 3.06 MTG SQUARE AS COMPARED TO A 3.25 MTG SQUARE FOR HENRY.IF YOU HAVE A MUELLER VALVE YOU WILL NEED A 5H40-3273 (2 3/4 THK) ADAPTER TO MOUNT TO C'CASE 3 1/4 MTG SQ. ALSO REQ'D ARE A 5H40-1361 & 6G65-1061 GASKETS. MOUNTING HARDWARE IS IS NOT PROVIDED. YOU MUST USE BOLTS OF GRADE 5 OR 8 QUALITY TO MOUNT.
40	2	-	5H801774	ADAPTER (3 7/8 MTG SQ X 4 3/4 B.C.)
43	2	-	5H607282	VALVE BLANK-OFF PAD (SUCTION)
44	2	-	5H607282	VALVE BLANK-OFF PAD (DISCHARGE)
48	1	-	NSS	CRANKCASE ASSEMBLY (NSS): Includes: Items 49 - 94
49	1	-	5H401012	> MAIN BEARING
50	1	-	AX35HR120	> GROOVE PIN (BRG WASHER): NOTE: CHECK DEPTH OF HEATER CASING TO SELECT PROPER REPLACEMENT.
51A	1	-	5F403742	> C'CASE HEATER CASING 3 1/2 DEEP
51B	1	-	5H403992	> C'CASE HEATER CASING 4 3/8 DEEP
51C	1	-	5F203742	> C'CASE HTR CASING 7 3/8/8 5/16 DP
52	6	-	AX11AR197	> DOWEL PIN
58	1	-	5H401141	> OIL BY-PASS PLUG
59	2	-	AU51YA011	> GASKET,HEATER & MAGNETIC PLUG
61	8	-	5H401531	> TUBE FERRULE 3/16
64	2	-	5H811551	> TUBE FERRULE 3/8
65	1	-	5H40772	> OIL SUCTION TUBE: NOTE: CYLINDER IDENTIFICATION (1L,2R & 4C) IS DONE BY LOOKING AT COMPR FROM PUMP END.CYLINDERS ON YOUR RIGHT ARE I.D'D BY 1R,2R,3R FRONT TO REAR. EX: ON 5H120 3L IS 3RD CYLINDER BACK FROM PUMP END ON LEFT BANK
66	1	-	5H601133	> OIL FEED TUBE TO CYL 1L

Purman Refrigeration
706-706-3033

Itm#	Qty	Rec	Part Number	Description
67	1	-	5H601143	> OIL FEED TUBE TO CYL 2L
68	1	-	5H601163	> OIL FEED TUBE TO CYL 1R
69	1	-	5H601153	> OIL FEED TUBE TO CYL 2R
72	1	-	5H601342	> SEAL END BRG SUPPLY LINE
95A	1	R	5H40276	ROTARY SEAL PKG. (STANDARD)(SEE NOTE): NOTE: Item 95A IS A STANDARD OFFERING SEAL PACKAGE. Includes: Items 96, 97, 98A, 99
95B	1	R	5H40276A	ROTARY SEAL PKG. (OPTIONAL)(SEE NOTE): NOTE: Item 95B IS A OPTIONAL SEAL PACKAGE THAT CONTAINS A SPECIAL COVER PLATE THAT RUNS COOLER WITH HFC REFRIGERANTS. Includes: Items 96, 97, 98B, 99
96	1	-	5H403692	> GASKET,COVER PLATE
97	1	-	5H40B303	> CARBON WASHER (SEE NOTE)
98A	1	-	5H402433	> COVER PLATE (STANDARD)
98B	1	-	5H403413	> COVER PLATE (OPTIONAL)
99	1	R	NSS	> BELLOWS: NOTE: THE CARBON WASHERS LISTED SHOULD ONLY BE REPLACED IF DAMAGED IN SHIPMENT OR INSTALLATION.DO NOT REPLACE ON SEALS THAT HAVE BEEN IN OPERATION. THIS ROTARY SLEEVE TYPE SEAL REPLACES THE EARLIER ROTARY BELLOWS OR STATIONARY TYPES.
100	6	-	AA06GR262	CAPSCREW,SEAL COVER PLATE
101	1	-	05HG660014	SHAFT SEAL CVR PLT(FOR BELLOWS SEAL)
102	1	R	5H401181	GASKET,COVER PLATE(FOR BELLOWS SEAL)
103	1	R	5H40677	BEARING HEAD & OIL PUMP ASY: Includes: Items 104 - 107
104	1	-	5H401022	> MAIN BEARING
105	1	-	CA99AA101	> MAGNETIC PLUG
106	1	-	AU51YA011	> GASKET,PLUG
107	4	-	AB06BR168	> CAPSCREW,OIL PUMP COVER
108	1	-	AX35HR120	> GROOVE PIN
109	1	-	5H407252	> SLEEVE (W/OIL COOLER)
110	1	R	5H40A372	> OIL PUMP ASSEMBLY PACKAGE: Includes: Items 111 - 117
111	1	-	NSS	> > COVER
112	1	-	NSS	> > IDLER
113	1	-	NSS	> > ROTOR
114	1	-	NSS	> > BUSHING
115	1	-	5F401211	> > GASKET,PUMP COVER
116	1	R	5H401113	> > GASKET,BEARING HEAD
117	1	-	5H401423	> > GASKET,PUMP END
118	1	R	5H40957	PUMP END COVER W/O CONTROLS: Includes: Items 119 - 122
119	2	-	5H401141	> OIL BY-PASS PLUG
120	1	-	5H401971	> CONTROL OIL STRAINER
121	1	-	AF20AA313	> HOLLOW LOCK SCREW
122	2	-	AU51YA011	> GASKET,OIL BY-PASS PLUG
123	1	R	5H40A564	PUMP END COVER & CONTROL VALVE ASY: Includes: Items 124 - 139
124	1	R	5H401423	> GASKET,PUMP END COVER
125	1	-	5F40767	> HYDRAULIC RELAY (AUX CNTRL VLV)
126	2	-	5H401141	> OIL BY-PASS PLUG
127	1	-	5H401971	> CONTROL OIL STRAINER
128	2	-	NSS	> CAPSCREW,HEXHEAD
129	1	-	AF20AA313	> HOLLOW LOCK SCREW
130	2	-	AU51YA004	> GASKET,CAPSCREW
131	2	-	AU51YA011	> GASKET,CAPSCREW
132	1	R	5F40721	> CONTROL VALVE PACKAGE: Includes: Items 133 - 139
133	1	-	5F88213	> > EXTERNAL VALVE ASY
134	1	R	05HG660014	> > BELLOWS ASSEMBLY: NOTE: WHEN REPLACING BELLOWS ON NEW STYLE VALVE WITH "O" RING SEAL DO NOT USE INNER GASKET INCLUDED WITH BELLOWS (1.78 OD X 1.59 ID) "O" RING ON NEW VALVE IS SUFFICIENT.
135	1	R	5F88206	> > SPRING,7#,(R12/134A/500)(7 COIL)
136	1	R	EB39CZ001	> > SPRING,11#,(R22)(4 TIGHT,3 OPEN)

Bowman Refrigeration
 206-706-3033

Itm#	Qty	Rec	Part Number	Description
137	1	-	5H402001	> > INNER VALVE GASKET
138	1	-	5H401411	> > OUTTER VALVE GASKET
139	1	-	NSS	> > CAP,VALVE
140	12	-	AA44AA298	CAPSCREW,HEXHEAD
141	12	-	AU51YA009	GASKET,CAPSCREW
236	12	-	AA44AA298	> CAPSCREW,HEXHEAD (BEARING HEAD)
237	12	-	AU51YA009	> GASKET,CAPSCREW
277	1	-	EP32TA150	> DOUBLE BRANCH ANGLE VALVE
278	1	-	EP23LC090	> ANGLE VALVE
279	1	-	5H405872	> ADAPTER (1/4 F.FL.X 1/4 FPT)
280	2	R	KM01BC200	> OIL PRESSURE GAUGE
281	2	-	CA63AA051	> PIPE PLUG 1/4"
292	1	-	5H60114	CRANKSHAFT ASSEMBLY: NOTE: IF THERE IS A CRANKSHAFT IN YOUR COMPRESSOR WITH THE LETTER "A", "B". OR "C" STAMPED ON BOTH ENDS,IT IS UNDERSIZED .010,.020 OR .030. IF THIS SHAFT NEEDS REPLACING ORDER STANDARD SHAFT (ITEM #292) AND REPLACE ALL SHAFT BEARINGS WITH STANDARD SIZE. CARRIER DOES NOT SELL REPLACEMENT UNDERSIZED SHAFTS.UNDERSIZE BEARINGS ARE AVAILABLE. (SEE ITEMS #321 - 338).
293	1	-	AW01DA265	FLYWHEEL DRIVE KEY
294	1	-	5H401401	FLYWHEEL WASHER
295	1	-	AU29AR331	FLYWHEEL LOCKWASHER
296	1	-	AB06BR323	CAPSCREW,FLYWHEEL
297	6	-	5H40103	CONN ROD ASY (STEEL ROD)(SEE NOTE): Includes: Items 298 - 301
298	2	-	5H401041	> CONN ROD BOLT
299	2	-	AT61AA272	> CONN ROD NUT
300	1	-	NSS	> CONN ROD
301	1	-	NSS	> PISTON PIN BUSHING
302	12	-	5H401002	CONNECTING ROD BEARING HALF: NOTE: ALUMINUM RODS (ITEM #303) WERE USED PSN F701597 (1977) IN LONG STROKE COMRESSORS ONLY (46,66,86,126 SIZES). IF YOU WANT TO REPLACE WITH STEEL RODS YOU MUST CHANGE ALL. DO NOT MIX ALUM/STEEL IN COMPRESSOR. USE ALL OF SAME KIND. ALUM RODS DO NOT REQUIRE ROD BEARINGS AS STEEL RODS DO. ADD BEARINGS 5H40-1002 (2 PER ROD) IF YOU CHANGE TO STEEL RODS.
309	1	-	5H401062	BEARING WASHER (SEAL END)(BRONZE)
310	1	-	5H401072	THRUST WASHER (SEAL END)(STEEL)
311	1	-	5H401082	BEARING WASHER (PUMP END)(BRONZE)
312	6	-	5H40482	PISTON & PIN ASSEMBLY: Includes: Items 313 - 315
313	1	-	NSS	> PISTON
314	1	-	5H401051	> PISTON PIN
315	2	-	5H403531	> PISTON PIN LOCK RING
316	2	-	5H40481	PISTON RING PACKAGE: Includes: Items 317 - 318
317	8	-	NSS	> COMPRESSION RING
318	8	-	NSS	> OIL RING (NOTCHED)
321	12	-	5H403612	CONN ROD BEARING HALF (-.010)
322	1	-	5H403632	SEAL END MAIN BEARING (-.010)
323	1	-	5H403652	PUMP END MAIN BEARING (-.010)
327	12	-	5H403622	CONN ROD BEARING HALF (-.020)
328	1	-	5H403642	SEAL END MAIN BEARING (-.020)
329	1	-	5H403662	PUMP END MAIN BEARING (-.020)
333	12	-	5H401002S3	CONN ROD BEARING HALF (-.030)
334	1	-	5H401012S3	SEAL END MAIN BEARING (-.030)
335	1	-	5H401022S3	PUMP END MAIN BEARING (-.030)
339	3	R	5H40120A	VALVE PLATE PACKAGE: Includes: Items 340 - 356
340	1	R	NSS	> VALVE PLATE
341	1	R	5H401083	> GASKET,VALVE PLATE
342	1	R	5H401093	> GASKET,CYLINDER HEAD
343	2	-	5H401142	> SUCTION VALVE
344	12	-	5H401791	> SUCTION VALVE SPRING
345	4	-	5F202061	> VALVE CLIP (FOR ASY ONLY)

Bowman Refrigeration
206-706-3033

Itm#	Qty	Rec	Part Number	Description
346	6	-	5H403363	> LOCKWASHER (TRIANGLE)
347	6	-	AB06GR202	> CAPSCREW,HEX HEAD
348	2	-	5H40A552	> DISCHARGE VALVE GUIDE ASY: Includes: Items 349 - 356
349	1	-	5H401201	> > LOCKPLATE
350	1	-	5H401553	> > GUIDE
351	1	-	5H401132	> > DISCHARGE VALVE
352	6	-	5H407322	> > DISCHARGE VALVE SPRING
353	3	-	AB06GR202	> > CAPSCREW HEX HEAD
354	2	-	AX11AR128	> > DOWEL PIN 3/16 DIA
355	1	-	AX11AR162	> > DOWEL PIN 1/4 DIA
356	1	-	5H401191	> > INNER SEAT
357	6	-	AA06GR262	CAPSCREW,HEX HEAD
358	6	-	AU51YA008	GASKET,CAPSCREW
359	1	R	5H60502	GASKET SET
360A	1	-	PH23QK016	PAINT,SPRAY CAN (SEA FOAM GREEN)
360B	1	-	PH23SK016	PAINT,SPRAY CAN (ICE GREY): NOTE: GASKET SET CONTAINS
361A	1	R	HT31AR200	C'CASE HEATER ELMNT 115V,200W,6 LG
361B	1	R	HT31AR230	C'CASE HTR ELMNT 230V,200W,6 LG
361C	1	R	HT31AZ120	C'CASE HTR ELMNT 115V,100W,3 1/8 LG
361D	1	R	HT31AR130	C'CASE HTR ELMNT 230V,100W,3 1/8 LG
361E	1	R	HT31AZ121	C'CASE HTR ELMNT 115V,200W,7 LG
361F	1	R	HT31AZ241	C'CASE HTR ELMNT 230V,200W,7 LG
362	1	-	HW25FA005	HEATER COUPLIMG
363A	1	-	HN61AJ101	C'CASE HTR RELAY 115V,60 HZ
363B	1	-	HN61AJ108	C'CASE HTR RELAY 208/230,50/60 HZ
364	2	-	5H40932	OIL RETURN CHECK VALVE: Includes: Items 365 - 366
365	1	-	NSS	> CHECK VALVE
366	1	-	5H401171	> GASKET,CHECK VALVE
367	4	-	AC73AA146	MACHINE SCREW W/WASHER
374	3	-	5H601004	CYLINDER HEAD
376	3	R	5H401093	GASKET,CYLINDER HEAD
377	2	R	5H60132	SUCTION STRAINER ASSEMBLY (BAIL)
378	4	-	5H401752	UNLOADER SLEEVE
379	2	R	5H601831	GASKET,SUCTION STRAINER
380	1	R	5H60A382	SUCTION FILTER PACKAGE: Includes: Items 381 - 382
381	1	R	5H604032	> FELT FILTER
383	6	-	5H401003	CYLINDER SLEEVE (WITH HOLES): NOTE: USE IN PLACE OF SLEEVE WITH OUT UNLOADER PIN HOLES.
384	4	-	5H402221	CYLINDER SLEEVE SNAP RING
385	1	R	5H40237	OIL SCREEN PACKAGE: Includes: Items 386
386	2	-	5H401371	> GASKET,OIL SCREEN
389	2	-	5H660007	MANIFOLD, SUCTION & DISCHARGE: NOTE: FOR 5H60 & 5H66 MANIFOLD KIT 5H660007 INCLUDES ITEMS 390 & 400.
390	4	R	5H601681	GASKET,MANIFOLD
400	16	-	AA06GR303	MOUNTING BOLTS,SUCT & DISCH MANIFOLD
402	24	-	5H402241	VALVE LIFTER SPRING
407	1	R	EB51FH270	INTERNAL RELIEF VALVE 350 PSI
415	1	R	5H40962	NON-ADJUSTABLE OIL PRESS REGULATOR: Includes: Items 416 - 418
416	1	-	AU51YA011	> GASKET
417	1	R	5H40962	> REGULATOR VALVE
418	1	-	5H403982	> CAP,REGULATOR VALVE: NOTE: ITEMS 419-427 ARE PARTS FOR THE ADJUSTABLE OIL BY-PASS VALVE WHICH HAS BEEN REPLACED BY ITEM # 415 WHICH IS USED CURRENTLY.
419	1	-	5H401141	OIL BY-PASS PLUG
420	1	-	CA99AA101	PLUG,MAGNETIC 5/8-11
421	1	-	5F201311	ADAPTER (1/4" FPT TO 5/8-18)

Bowman Refrigeration
206-706-3033

Itm#	Qty	Rec	Part Number	Description
422	1	-	AU51YA011	GASKET,OIL BY-PASS PLUG
423	1	-	AF20AA313	LOCKSCREW,OIL BY-PASS
424	1	-	BE72AR320	SET SCREW
425	1	-	5H401121	ADJUSTING SCREW,OIL BY-PASS
426	1	-	7K34182	OIL BY-PASS SPRING
427	1	-	5H401111	OIL BY-PASS VALVE
428	1	R	5H40782	OIL PRESSURE REGULATOR VALVE
429	1	R	AU51YA011	GASKET,REGULATOR VALVE
430	1	-	5H403982	REGULATOR VALVE CAP
431	48	-	AA06GS271	CYLINDER HEAD BOLT
432	48	-	AU51YA008	GASKET,CAPSCREW (NOT NOW USED)
433	24	-	5H402231	VALVE LIFTER PIN
434	2	-	EP23LC090	ANGLE VALVE (TO OIL FILTER)
435	4	-	5H40163	UNLOADER POWER ELEMENT ASSEMBLY: Includes: Items 436 - 452
436	1	-	5H401762	> UNLOADER CYLINDER BRKT
437	1	-	5H401711	> UNLOADER CYLINDER GASKET (BOTTOM)
438	1	-	5H401772	> UNLOADER CYLINDER
439	1	-	5H401782	> UNLOADER PISTON
440	1	-	5H401731	> UNLOADER PISTON ROD
441	1	-	5H401811	> UNLOADER SPRING RETAINER WASHER
442	1	-	5H401822	> UNLOADER SPRING (INNER)
443	1	-	5H402812	> UNLOADER SPRING (MIDDLE)
444	1	-	5H401802	> UNLOADER SPRING (OUTTER)
445	1	-	5H401701	> UNLOADER CYLINDER GASKET (TOP)
446	1	-	5H401814	> UNLOADER FORK
447	1	-	5H40242	> CYLINDER COVER PLATE ASY
448	3	-	AU27AF201	> LOCKWASHER,EVERLOCK 5/16
449	3	-	AB06BR574	> CAPSCREW,HEX HEAD 5/16-24
450	1	-	AX01AA003	> COTTER PIN
451	1	-	5F201301	> PLATE WASHER
452	1	-	5F202751	> CLEVIS PIN
453	4	-	5H401451	GASKET,UNLOADER BRACKET
454	8	-	AB44AA202	CAPSCREW,SOCKET HEAD 5/16-24
455	8	-	AU61ML201	LOCKWASHER,SPRING 5/16
456	1	R	5H40102	HAND HOLE COVER & SIGHT GLASS ASY
457	1	R	5F20152	SIGHT GLASS PACKAGE: Includes: Items 458 - 459
458	1	R	NSS	> SIGHT GLASS
459	1	R	5F201631	> GASKET,SIGHT GLASS
460	1	R	5H401001	SIGHT GLASS
461	1	-	5H401011	GASKET,INNER
462	1	-	5H401021	CLAMPING GLAND
463	1	-	5H401621	GASKET,OUTTER
464	1	-	AA06GR199	CAPSCREW,HEX HEAD
465	1	-	AA27AR201	WASHER,EVERLOCK
466	2	R	5H401042	GASKET,HAND HOLE COVER
467	1	-	5H401304	HAND HOLE COVER PLAIN
471	26	-	AA06BR266	CAPSCREW,HEX HEAD
472	28	-	AU51YA008	GASKET,CAPSCREW 7/16
478	4	-	5H401781	CONTROL BRACKET STUD
479	1	-	DD10CA052	ELBOW 1/4 X 1/4
480	1	-	5F401372	PRESS CONTROL BRACKET (A-B)
482	1	-	5H407232	PRESS CONTROL BRACKET
483	1	R	HK02HA012	PRESSURESTAT (HI SIDE) (A-B)
484	1	R	HK02HB012	PRESSURESTAT (LO SIDE) (A-B)
485	1	R	HK680018	PRESSURESTAT (HI SIDE)
486	1	R	HK02UB050	PRESSURESTAT (LO SIDE)
487	2	-	5F201501	PRESSURSTAT TUBE CLIP

Bowman Refrigeration
206-706-3033

Itm#	Qty	Rec	Part Number	Description
489	1	R	5H40A274	OIL FILTER ACCESSORY PACKAGE: Includes: Items 490 - 510
490	1	R	05HG660020	> OIL FILTER
491	1	-	5H402832	> MOUNTING BRACKET
492	1	-	5H60166	> FILTER INLET TUBE ASY
493	1	-	5H40176	> FILTER OUTLET TUBE
494	1	-	EP23LC090	> ANGLE VALVE
495	1	-	DD40CA051	> HALF UNION ELBOW W/ORIFICE (68)
496	1	-	EP32TA150	> DOUBLE BRANCH ANGLE VALVE
497	1	-	DD10CA052	> HALF UNION ELBOW
498	1	-	5F201311	> ADAPTER (1/4" FPT TO 5/8-18)
499	1	-	AC15AA174	> RD HEAD MACHINE SCREW 1/4-20
500	1	-	AT39AA171	> HEX NUT 1/4-20
501	2	-	AU11AA241	> LOCKWASHER 3/8
502	2	-	AT39AA241	> HEX NUT 3/8-16
503	2	-	5H401781	> CONTROL BRKT STUDS
504	2	-	AU51YA008	> GASKETS,CAPSCREW 7/16
505	1	-	AU51YA011	> ADAPTER GASKET 5/8
506	2	R	KM01BC201	> PRESSURE GAUGE
507	1	-	DD24FA051	> GASKET,FLARE
508	2	-	AU01AA241	> WASHER 3/8
509	1	-	DD12CA051	> ELBOW 1/4 FFL X 1/4 FPT
510	1	-	5H405872	> FITTING 1/4 FFL X 1/4 FPT
511	1	R	5H40B283	OIL COOLER ACCESSORY PACKAGE: Includes: Items 512 - 528
512	1	R	KH51ZZ100	> OIL COOLER
513	2	-	5H40B243	> COOLER MOUNTING BRACKET
514	1	-	5H407252	> SLEEVE
515	4	-	5H401781	> COOLER MOUNTING STUDS
516	4	-	AU11AR241	> SPRING LOCK WASHER 3/8
517	4	-	AT39AA241	> HEX NUT 3/8-16
518	1	-	AF19AR317	> HEADLESS SOCKET SCREW
519	2	-	DD10CA201	> HALF UNION ELBOW 1/2 NPT X 1/2 FL
521	1	-	CE01CA110	> NIPPLE 3/8
522	1	-	CE20RA101	> TEE 3/8
523	2	-	DD10CA203	> HALF UNION ELBOW 3/8 NPT X 1/2 FL
524	2	-	CE01CA153	> NIPPLE 1/2
525	1	-	CA63AA101	> PIPE PLUG 3/8
529	1	-	5H60507	WATER COOLED CYL.HEAD ACCESSORY PKG: Includes: Items 530 - 551
530	3	-	5H411019	> CYLINDER HEAD
532	3	R	5H401093	> GASKET,CYLINDER HEAD
533	3	-	5H611039	> CYLINDER HEAD COVER
538	3	R	5H411703	> GASKET,CYL HEAD COVER
540	48	-	AA06BR232	> CAPSCREW,HEXHEAD 1 1/4 LG
541	48	-	AA06BR274	> CAPSCREW,HEXHEAD 4 1/4 LG
544	4	-	DD10CA302	> HALF UNION ELL 5/8 FL X 1/2 MPT
552	1	-	05HY500863	MUFFLER PACKAGE
553	1	R	5F20212	LUBE OIL CONTROL PACKAGE: Includes: Items 554 - 557
554	1	R	P5294120	> PRESS SWITCH (W/45 SEC DELAY)
555	1	-	DD07UA051	> HALF UNION
556	1	-	5F201311	> ADAPTER
557	1	-	AU51YA011	> GASKET WASHER
558	1	-	HN61AJ101	CRANKCASE HEATER RELAY (120V COIL)
559	1	-	HN61AJ108	CRANKCASE HEATER RELAY (240V COIL)
561	1	-	5H60613	COUPLING (D.D.) 1.875 DIA MTR SHAFT
562	1	-	5H80663	COUPLING (D.D.) 1.875 DIA MTR SHAFT
563	1	-	5H60623	COUPLING (D.D.) 2.125 DIA MTR SHAFT
564	1	-	5H120623	COUPLING (D.D.) 2.125 DIA MTR SHAFT

Bowman Refrigeration
206-706-3033



Itm#	Qty	Rec	Part Number	Description
565	1	-	5H80613	COUPLING (D.D.) 2.375 DIA MTR SHAFT
567	1	-	5H40394	FLYWHEEL (11 PITCH DIA) (3 GROOVE)
568	1	-	5H60394	FLYWHEEL (11 PITCH DIA) (5 GROOVE)
571	1	-	SEEPRICEPAGES	BELT DRIVE PACKAGES
572	1	-	SEEDATA/ACCGUIDE	COMPRESSOR MOTOR
573	1	-	SEEPRICEPAGES	MOTOR MOUNTING PACKAGE
574	1	-	SEEPRICEPAGES	VIBRATION ISOLATOR PKG

Bowman Refrigeration
206-706-3033